



INSTALLATION AND SERVICE MANUAL

 **550**

 **750**

 **1000**

MI-1000/750/550

Agency Approvals



Medical Electrical Equipment

With respect to electric shock, fire

And mechanical hazards only

In accordance with IEC60601-1:2006 / CAN/CSA C22.2

No.601.1-M90 with updates 1 & 2

Classifications:

1. Protection against electrical shock (5.1, 5.2). Class I permanently connected,
2. Protection against harmful ingress of water (5.3). None.
3. Degree of safety in the presence of flammable anesthetics or oxygen (5.5). Not suitable for use in the presence of flammable anesthetics or oxygen.
4. Mode of operation (5.6). Continuous
5. Surgical luminaires (IEC60601-2-41)



Electromagnetic compatibility for immunity

And emissions in accordance with

EN-60601-1-2(2001) Class A and CISPR 22 (1997) Class A

Medical Electrical Equipment

Particular requirements for the safety of surgical

luminaires and luminaires for diagnosis

In accordance with IEC-60601-2-41

Intended use: Procedural Medical Lighting for Hospital, Clinic, Veterinary, Minor Surgery, Examination or Diagnosis, within suitable facilities designated for such purposes. This light system is mounted centrally in a room such that access is available all around the operating environment.

User interface: The MI-Line lighting systems are minor surgery, procedural and examination lights intended to be used by medical professionals. The functional interfaces are 540° positioning horizontally and +20°/-60° vertically. The lamp head can be rotated approximately 300°. An ON/OFF button is provided with multiple levels of dimming.

Misuses: For any purpose or use at any facility other than stated above. Caution shall be exercised when positioning the light head and avoid contact or collision with the patient, other medical professionals or other lights/equipment.

Table of Contents

Section 1: General Information	5
List of Symbols	6
MI Line Models	7
Limited Warranty.....	8
Disposal of Waste.....	9
Section 2: Specifications	10
Section 3: Installation/Assembly	11
Ceiling Calculation for a Single Ceiling Light	11
Ceiling Calculation for a Dual Ceiling Light	12
Ceiling Mount Pre-Installation Guidelines	13
Ceiling Structure Construction and Mounting.....	14
Arm Cable Termination	16
Installing the Ceiling Mount and Extension Arm.....	17
Installing the Articulating Arm Assembly	18
Installing the Light Head	19
Connecting the Ceiling Mount to AC Mains	20
Finishing the Installation	20
Wall Mount Installation.....	21
Floor Stand Light Assembly	25
Floor Stand Electrical Connection.....	26
Section 4: Operating Instructions	28
On/Off & Dimming Levels	28
Endo Mode	29
Power Failures.....	29
Positioning the Light Head	29
Section 5: Safety and Maintenance Instructions	30
Safety Tips.....	30
Maintenance	31
Fuse Replacement.....	31
LED Maintenance	31
Adjusting the Articulating Arm.....	32
Handle Sterilization	33
Cleaning Instructions	34
Maintenance Schedule	35
Section 6: Troubleshooting	36
General Troubleshooting	36

Table of Illustrations

Figure 1: Ceiling Rod Calculation for Single Ceiling Mount	11
Figure 2: Ceiling Rod Calculation for Dual Ceiling Mount	12
Figure 3: Recommended Ceiling Structure Construction	14
Figure 4: Mounting Dimensions for Ceiling Mount	15
Figure 5: Arm Cable Termination.....	16
Figure 6: Ceiling Mount and Extension Arm Installation	17
Figure 7: Articulating Arm/Light Head Assembly Installation	18
Figure 8: Installing Light Head	19
Figure 9: Connecting AC Mains.....	20
Figure 10: Installing the Ceiling Mount Covers	20
Figure 11: Wall Bracket Mounting Template.....	21
Figure 12: Wall Mount Bracket	21
Figure 13: Extension Arm Mounting on Wall Bracket	22
Figure 14: Wall mounting with load anchor or stud-anchor.....	23
Figure 15: Wall mounting with Back-Plate	23
Figure 16. Stud Anchor Installation.....	24
Figure 17: Floor Stand Base Installation.....	25
Figure 18: Floor Stand Electrical Connection	26
Figure 19: Installing the Arm Block	27
Figure 20: Dimming Button Location	28
Figure 21: Adjusting the Articulating Arm.....	32
Figure 22: Sterilizable Handle Removal MI-1000/MI-750	33
Figure 23: Sterilizable Handle Removal MI-550	33

Section 1: General Information Definition of Terms

I.E.C. International Electrotechnical Commission

ETL Edison Testing Laboratories

Medical Electrical Equipment

Electrical equipment intended to diagnose, treat the patient under medical supervision.
Electrical equipment that transfers light energy to the patient.

Central Illuminance

Illuminance of light head measured at 1 meter from the light emitting area with no obstructions.
The value is expressed in Foot-candles or Lux.

Light Field Center

The point of maximum Illuminance in lighted area. This is the reference point for light field size and light distribution measurements.

Light Field Diameter

The diameter of the circle where Illuminance reaches 10% of light field center Illuminance.

Depth of Illumination

The distance above and below 1 meter to where the central Illuminance is reduced to 20%.

Shadow Dilution

The ability of the equipment to minimize the impact of shadows in the working area due to partial obstruction by the operator or other medical personnel.

Correlated Color Temperature (CCT)

The color temperature of the light fixture when compared to a blackbody radiator expressed in degrees Kelvin.

Color Rendering Index (CRI)

A method of how well a light source will render other colors when illuminating them based upon eight CIE chromaticity coordinates measured with a spectro-radiometer.

Total Irradiance

The total amount of energy imparted to the patient by the lighting system expressed in Watts/meter squared.

Arm Assembly – Extension/Articulating Arm

The extension arm is the horizontal positioning arm with a pivot that increases the area covered by the articulating arm and yoke/light head assembly. The articulating arm allows for vertical positioning of the light head.

Head/Yoke Assembly

This assembly includes the light head (light source) and provides for the light head rotation (positioning).

Sterilizable Handle

An easily removable device that when properly sterilized maintains a sterile area in order to handle it under aseptic conditions when attached to the equipment.

Definition of Terms (cont'd)

Light Mounting

Support apparatus used to connect arm assembly/light head to a fixed surface, consisting of either a single or double ceiling mounting.

Off Center Moment

The unit of measurement for torque which is caused by an off-center load. This is measured in foot-pounds.

Protective earth ground

The conductor used to connect the non-current-carrying metal parts of equipment, raceways, and other enclosures to the system grounded conductor, the grounding electrode conductor, or both, of the circuit at the service equipment or at the source of a separately derived system.









Neutral Conductor (common)

In an AC circuit, the return line for current.

Means of Isolation

The Means of Isolation, disconnects (Isolates) the light from the source of power. This isolation makes it safe to work on the light. In the case of a ceiling mounted light, the means of isolation is the circuit breaker that supplies the power to the circuit. In the case of the Wall, floor or Floor UPS, the means of isolation is the cord. Unplugging the cord isolates the light from power.

List of Symbols

	ETL Listing marking		Protective earth ground
	Read accompanying documents		Neutral conductor
	C.E. Marking		Caution
	Fuse marking		Electric shock hazard

MI Line Models

The following MI models are covered in this manual:

MI-1000

061522 – Wall Mount.....	100-240 VAC, 2.5A, 50/60 Hz, 100W
061523 – Floor Model.....	100-240 VAC, 2.5A, 50/60 Hz, 100W
061523B – Floor Model w/Battery Backup.....	100-240 VAC, 2.5A, 50/60 Hz, 120W
061524 – Single Ceiling Mount.....	100-240 VAC, 2.5A, 50/60 Hz, 100W
061525 – Dual Ceiling Mount	100-240 VAC, 5.0A, 50/60 Hz, 200W

MI-750

061422 – Wall Mount.....	100-240 VAC, 1.5A, 50/60 Hz, 65W
061423 – Floor Model.....	100-240 VAC, 1.5A, 50/60 Hz, 65W
061423B – Floor Model w/Battery Backup.....	100-240 VAC, 1.5A, 50/60 Hz, 85W
061424 – Single Ceiling Mount.....	100-240 VAC, 1.5A, 50/60 Hz, 65W
061425 – Dual Ceiling Mount	100-240 VAC, 3.0A, 50/60 Hz, 130W

MI-550

061322 – Wall Mount.....	100-240 VAC, 1.5A, 50/60 Hz, 65W
061323 – Floor Model.....	100-240 VAC, 1.5A, 50/60 Hz, 65W
061324 – Single Ceiling Mount.....	100-240 VAC, 1.5A, 50/60 Hz, 65W
061325 – Dual Ceiling Mount	100-240 VAC, 3.0A, 50/60 Hz, 130W

Section 1

Medical Illumination International, Inc. Limited Warranty

This document comprises the general terms of your product's Limited Warranty. By accepting the shipment of the product, the owner/purchaser agrees to adhere to the warranty terms and conditions expressed herein.

Medical Illumination International, Inc. ("Medical Illumination") Lighting Equipment is warranted against defective material and/or workmanship, excluding normal replacement parts (e.g. sterilizable handles), for a period of three (3) years from the date of shipment. This Limited Warranty applies exclusively to the repair or replacement of parts recognized as defective by Medical Illumination that are in normal use and have not been modified or repaired by unauthorized personnel.

This Limited Warranty extends only to the first retail purchaser of a product, and is not transferable or assignable. This warranty supersedes all other guarantees or warranties, expressed or implied.
WARRANTY SERVICE & REPAIRS

Medical Illumination does not provide (or give any compensation for) outside repair services or field labor. Therefore, in the event of a failure covered under this warranty, please take the following immediate action:

1. Contact Medical Illumination via phone at (818) 838-3025, through our website at <http://www.medillum.com>, or by facsimile at (818) 838-3725.

A. Be prepared to give the model number, serial number, and full description of the failure.

B. Our Customer Service department will attempt to solve the problem over the phone. If it becomes necessary to send the product to the factory for repair, you will be provided with a Return Authorization number. Products sent to the factory without a Return Authorization number will not be accepted.

2. It is the retail purchaser's obligation to arrange for shipment return of a product to the factory for warranty service, which shall be at the retail purchaser's expense. Carefully package the light component (light head, arm assembly, mount assembly, etc.) and return it, freight prepaid and insured, with the Return Authorization number clearly marked on the outside of the box, to:

Medical Illumination
547 Library Street
San Fernando, CA 91340
RA# _____

When returning product for repair, damage resulting from inadequate packing is not covered by this warranty. In addition, shipping insurance does not cover damage due to inadequate packing. We recommend that the package be insured against loss or in-transit damage. Medical Illumination cannot be held responsible for in-transit loss or damage. In the event that freight-related damage should occur, Medical Illumination will notify you immediately so that you can file a damage claim with the proper freight carrier.

Medical Illumination Limited Warranty (cont'd)

Within the aforementioned time period of three (3) years from date of shipment, Medical Illumination will evaluate the returned product, repair as appropriate, and ship the product back to you with freight costs prepaid by the Company. In the event that non-warranty damage or failure is discovered, you will be contacted before any repairs are performed.

EXCLUSIONS

This Limited Warranty does not cover the following:

- Any field labor or outside services (electricians, contractors, installation services, routine maintenance or other repair services)
- Damage to the product resulting from tampering, accident, abuse, negligence, alteration, or other causes unrelated to problems with material and/or workmanship
- Damage due to improper installation, use, cleaning or maintenance, as outlined in the Installation and Service Manual for the product
- Labor costs associated with removing, re-packaging for shipment or reinstalling product

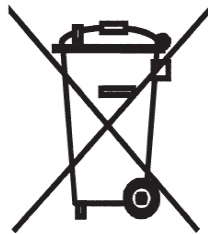
PRODUCT RETURNS:

Please contact the authorized dealer from whom the product was purchased to inquire about a product return. Additional terms and conditions set by the dealer may apply for any returned items.

SHIPMENT DAMAGE:

If the initial shipment of your purchased product arrived in damaged condition, please leave the packaging and its contents intact and contact Medical Illumination immediately.

Disposal of Waste



This product must not be disposed of with your other waste. Instead, it is your responsibility to dispose of your waste equipment by handing it over to a designated collection point for the recycling of waste electrical and electronic equipment, or by returning it to Medical Illumination International, Inc for reprocessing. The separate collection and recycling of your waste equipment at the time of disposal will help to conserve natural resources and ensure that it is recycled in a manner that protects human health and the environment. For more information about where you can drop off your waste equipment for recycling, please contact your local city office, your waste disposal service, or your product distributor or retailer.

Section 2: Specifications

Optical Specification			
Parameter	MI-1000	MI-750	MI-550
# of LED's	36	18	8
Output	100,000 Lux @ 39.4" (1m)	75,000 Lux @ 39.4" (1m)	55,000 Lux @ 24" (0.6m)
CCT	4,300°K		
CRI	97		
Focal Length	39.4" (1m)		24" (0.6m)
Dimming Levels	5	3	2
Dimming Percentages	100%, 87%, 75%, 62%, 50%	100%, 75%, 50%	100%, 50%
Endo Mode	Yes	No	No
Light Field (d10)	≈Ø8.3" (Ø209mm)	≈Ø7.7" (Ø196mm)	≈Ø6.0" (Ø152mm)
Light Field (d50)	≈Ø4.9" (Ø124mm)	≈Ø4.3" (Ø110mm)	≈Ø3.5" (Ø 89mm)
Depth of Illumination	≈24" (610mm)	26.5" (673mm)	-
Illuminance (one mask)	27.2%	.003%	-
Illuminance (two masks)	37.2%	34.5%	-
Illuminance (tube with one mask)	24.3%	.003%	-
Illuminance (tube with two masks)	40.3%	35.5%	-
Irradiance	295 W/m ²	196 W/m ²	71 W/m ²
Electrical Specifications			
Supply Circuit	100 - 240 VAC, 50/60Hz		
Fuse Rating	2.5 Amp/250VAC	1.5 Amp/250VAC	1.5 Amp/250VAC
Power Supply power handling capacity	100W	65W	65W
Light Head power consumption	54W @24VDC	27W @24VDC	16W @24VDC
Mechanical Specifications			
Light Head Weight	14.6 lbs (6.6 kg)	9.0 lbs (4.1 kg)	6.9 lbs (3.1 kg)
Light Head Dimensions	Ø18" (Ø457mm) 4" H (102mm)	Ø14.5" (368mm) 3.25" H (83mm)	Ø9.2" (234mm) 2.6" (66mm)
Arm Assembly Weight	Single: 48.3 lbs (21.9 kg)		Dual: 77.1 lbs (35.0 kg)
Articulating Arm Vertical Movement	+20° Up, -60° Down		
Articulating Arm Horizontal Movement	≈540°		
Articulating Arm/Yoke Interface	≈540°		
Yoke/Light Head Interface	≈300°		
Environmental Specifications			
Ambient/Operating temperature	41°F to 104°F (5°C to 40°C)		
Storage temperature	-4°F to 122°F (-20°C to 50°C)		
Humidity	10 - 90% Relative Humidity		
Pressure	100kPA (@<2k meters)		

Section 3: Installation/Assembly

Ceiling Calculation for a Single Ceiling Light

Use the following table to select the correct length ceiling rod for your application

Ceiling Mounting Height "Y"-Value	Ceiling Rod Length	"X"-Value	Head room to bottom of extension arm (Y-Value – X-Value)
8'0" – 8'10" [2438 – 2692]	9" [229] P/N: 1001461-9	12.25" [311]	83.75" – 93.75" [2127 – 2381]
8'11" – 9'8" [2718 – 2946]	20" [508] P/N: 1001461-20	23.25" [591]	83.75" – 92.75" [2127 – 2381]
9'9" – 10'6" [2972 – 3200]	30" [762] P/N: 1001461-30	33.25" [845]	83.75" – 92.75" [2127 – 2381]
10'7" – 11'4" [3226 – 3454]	40" [1016] P/N: 1001461-40	43.25" [1099]	83.75" – 92.75" [2127 – 2381]
11'5" – 12'2" [3480 – 3708]	50" [1270] P/N: 1001461-50	53.25" [1353]	83.75" – 92.75" [2127 – 2381]

[xx] denotes millimeters

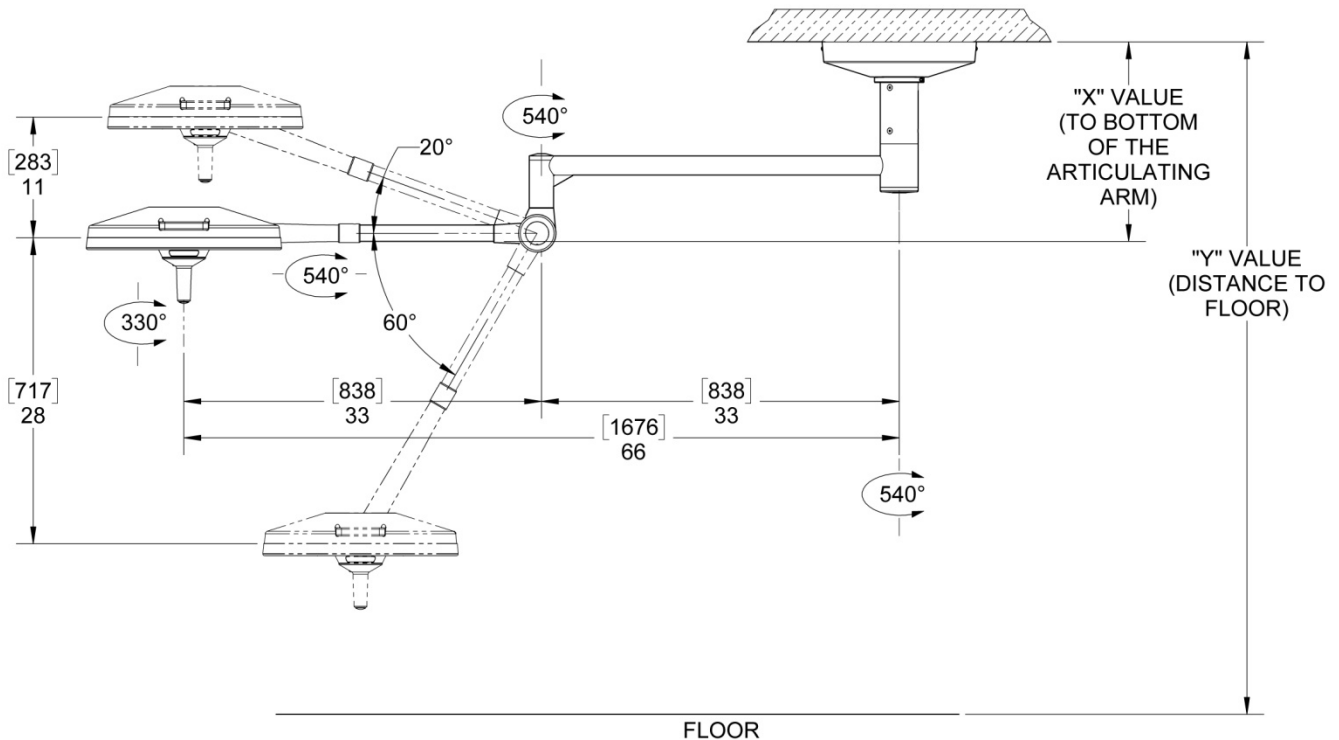


Figure 1: Ceiling Rod Calculation for Single Ceiling Mount

Section 3

Ceiling Calculation for a Dual Ceiling Light

Use the following table to select the correct length ceiling rod for your application

Ceiling Mounting Height "Y"-Value	Ceiling Rod Length	"X"-Value	Head room to bottom of extension arm (Y-Value – X-Value)
8'0" – 8'10" [2438 – 2692]	9" [229] P/N: 1001461-9	16.25" [413]	79.75" – 89.75" [2026 – 2280]
8'11" – 9'8" [2718 – 2946]	20" [508] P/N: 1001461-20	27.25" [692]	79.75" – 88.75" [2026 – 2254]
9'9" – 10'6" [2972 – 3200]	30" [762] P/N: 1001461-30	37.25" [946]	79.75" – 88.75" [2026 – 2254]
10'7" – 11'4" [3226 – 3454]	40" [1016] P/N: 1001461-40	47.25" [1200]	79.75" – 88.75" [2026 – 2254]
11'5" – 12'2" [3480 – 3708]	50" [1270] P/N: 1001461-50	57.25" [1454]	79.75" – 88.75" [2026 – 2254]

[xx] denotes millimeters

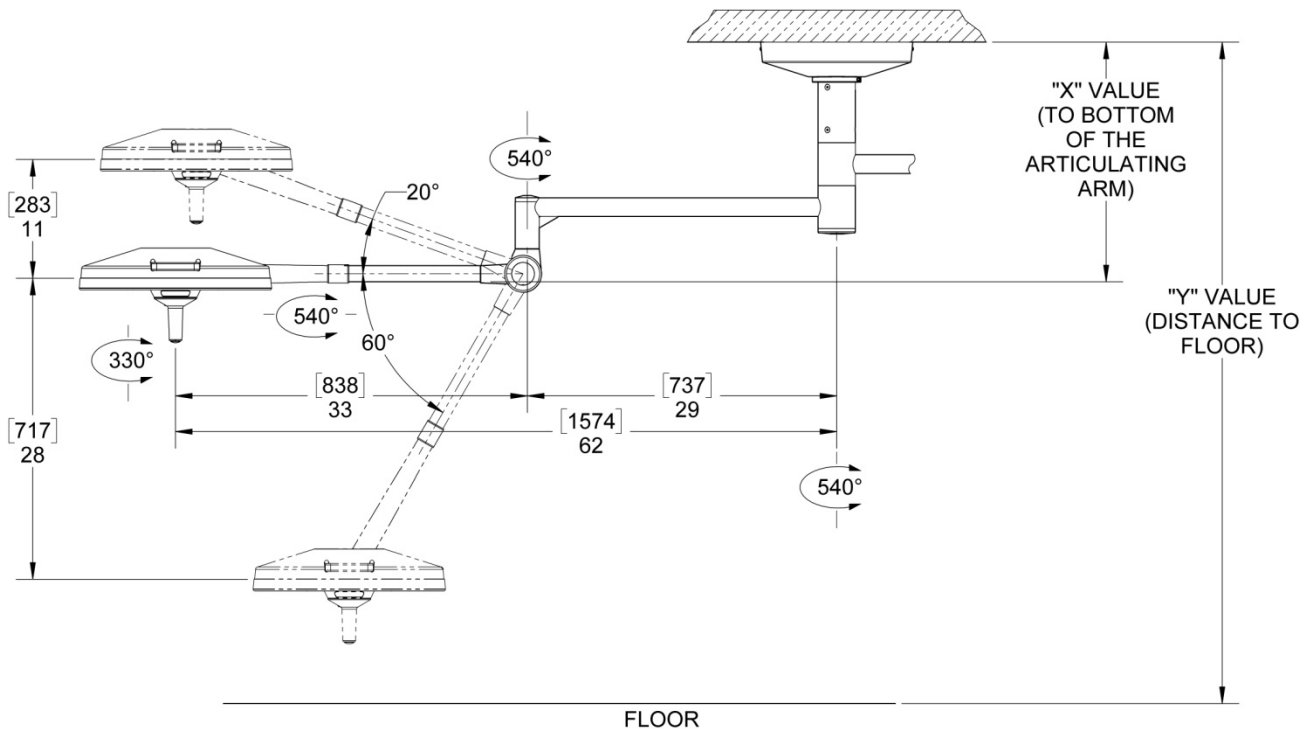


Figure 2: Ceiling Rod Calculation for Dual Ceiling Mount

Ceiling Mount Pre-Installation Guidelines

SPECIAL NOTE: Installation and repair of this equipment should be performed by qualified persons only. Medical Illumination International, Inc. does not warranty any damage occurring as a result of improper installation. It is recommended that this installation manual be completely reviewed prior to installation.

Before installation, check to insure the following minimum conditions are provided:

Ceiling Mount	Weight: Lb	Moment: Ft Lb
Single Ceiling	145	326
Dual Ceiling	231	626

← recommended

Medical Illumination strongly recommends that the ceiling structure be designed to the weights and moments for the worst case (double ceiling). Designing for the heaviest model with the highest load/torque will ensure adequate support for all models.



A structural mount that does not meet these minimum conditions can cause serious injury and/or property damage.



A sloped or vaulted ceiling will require a level mounting surface be constructed that meets the above listed requirements.

- The ceiling structure must be strong enough to support the weight and rigid enough to constrain rotation to less than 0.1° at the ceiling casting.
- The equipment may be mounted directly over a 4-0 junction box. Input power supply lines should be wired in accordance with all applicable building codes.
- The supply circuit line must be as follows:
100-240VAC, 50/60 Hz, single phase, three wire, capable of supplying 160 Watts.
- The equipment is not deemed compatible with any sort of electrical dimming device. Use line voltage only.
- The power supply circuit line must be routed and wired to the wire harness in compliance with all applicable building codes.



Failure to provide a circuit meeting these minimum standards or complying with local building codes can cause a shock hazard.

Check the length of the ceiling rod supplied to make sure that it is the proper length to install and operate the light without interference or over reach.



Means of Isolation

The Means of Isolation disconnects (Isolates) the light from the source of power. This isolation makes it safe to work on the light. In the case of a ceiling mounted light, the means of isolation is the circuit breaker that supplies the power to the circuit. In the case of the Wall, Floor or Floor UPS, the means of isolation is the cord. Unplugging the cord isolates the light from power.

Section 3

Ceiling Structure Construction and Mounting

The Ceiling Mount system will experience various levels of dynamic off center moment during regular use. Therefore, it is crucial that the ceiling structure be strong enough to uphold the weight of the system and support the positioning arms and light head without deflection. The owner and/or owner's contractor has the final responsibility for the strength and rigidity of the ceiling structure. An inadequate ceiling may result in serious injury, unintended drift, and/or equipment damage.

Because the ceiling structure is the owner's responsibility, the design and construction recommendation shown below covers only one of the many possible alternatives that can be used. Medical Illumination highly recommends that the owner consult a structural engineer prior to designing and installing the ceiling structure.

Recommended Ceiling Structure Construction Details

The illustrations below are suggested mounting schemes per 2001 California Building Code – Section 1632A: Anchorage and Seismic. For any other mounting scheme, please consult a structural engineer and/or professional contractor for the best solution for your situation. Installation and repair of this equipment should be performed by qualified persons only. Medical Illumination does not warranty any damage occurring as a result of improper installation.

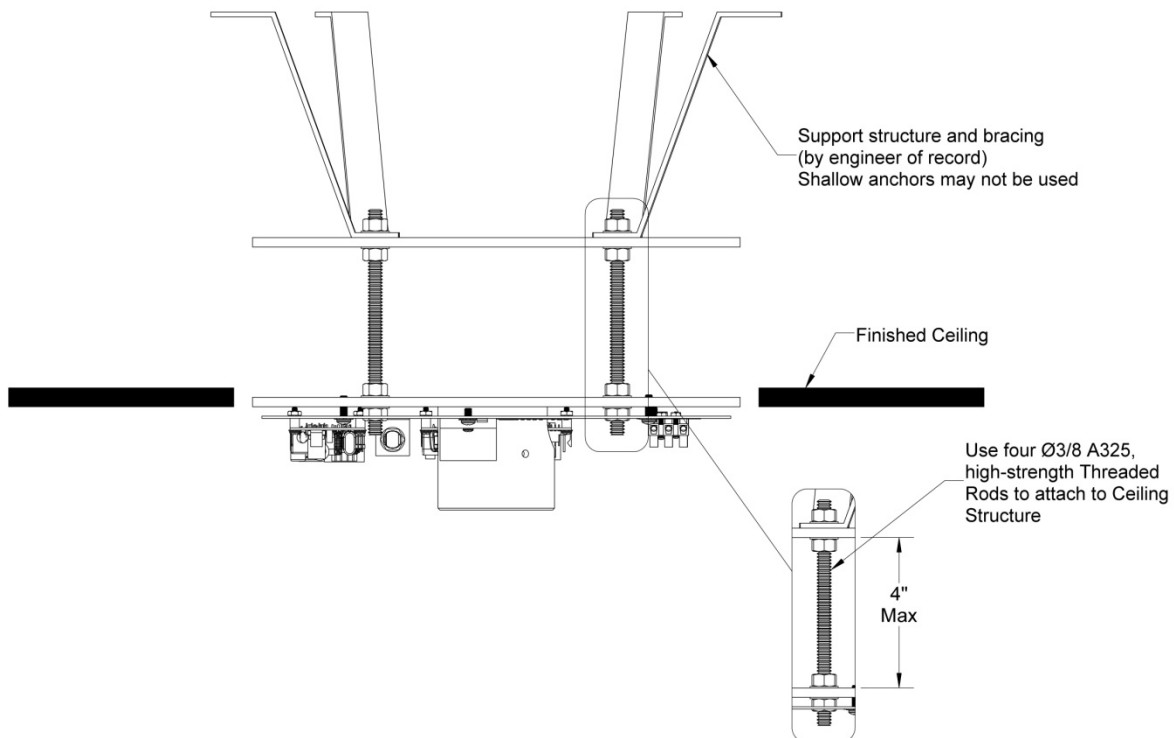


Figure 3: Recommended Ceiling Structure Construction

Installing the Ceiling Mount and Extension Arm

The shipping carton contains a light head assembly, arm assembly, extension arm assembly, ceiling mount assembly, hardware kit, and an Installation and Service Manual. (Mounting hardware for attaching the Ceiling Mount to the ceiling is not supplied). Prior to installation ensure that all components shown are present. For the Dual configuration, a second carton contains the second Light Head/Yoke Assembly and Spring Arm.

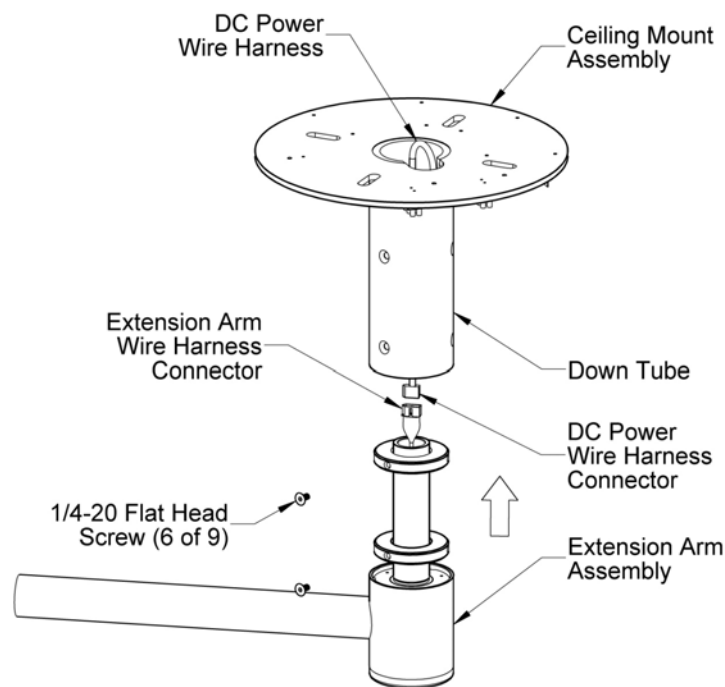


Figure 6: Ceiling Mount and Extension Arm Installation (Single Light shown)

! It is essential that the Ceiling Mount Assembly be mounted perfectly plumb and square. Failure to mount this assembly plumb will result in arm drift.

Once the ceiling mount assembly has been installed, with two people, position the Extension Arm Assembly under the Down Tube and connect the DC Power Wire Harness Connector to the Extension Arm Wire Harness Connector. Then slide the Arm Assembly up into the Down Tube and align the holes on the Extension Arm to the Down Tube. Secure with the remaining six (6) 1/4-20x1/2" Flat Socket Head screws and tightening sequentially in a circular pattern.

Installing the Articulating Arm Assembly

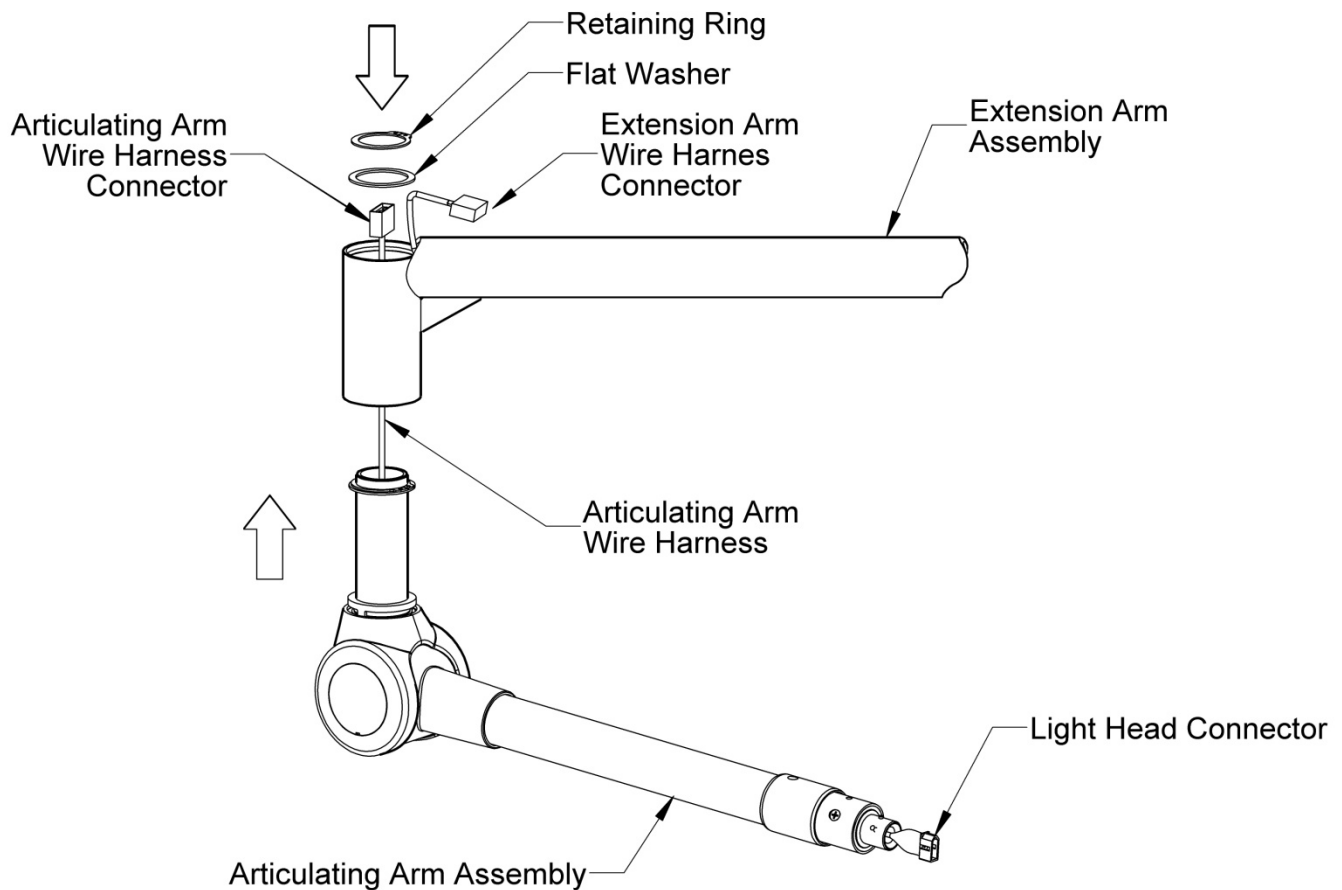


Figure 7: Articulating Arm/Light Head Assembly Installation

To install the Articulating Arm/Light Head Assembly, first position the Extension Arm Wire Harness connector out of the way of being snagged. Then insert the Articulating Arm into the extension arm as shown above guiding it up through the vertical mounting tube. To secure the arm installation, install the flat thrust washer and then using the supplied retaining ring pliers install the retaining ring located in the hardware kit onto the rotational pivot groove. Ensure that the retaining ring is fully seated into the groove and that the Articulating Arm has smooth rotational freedom before installing the Light Head.

NOTE: The retaining ring supports the weight of the light head and arm assemblies and must be fully seated in the groove on the post from the Articulating Arm Assembly. Failure to fully seat the retaining ring in the groove can result in failure of the arm assembly, serious injury, and property damage.

Installing the Light Head

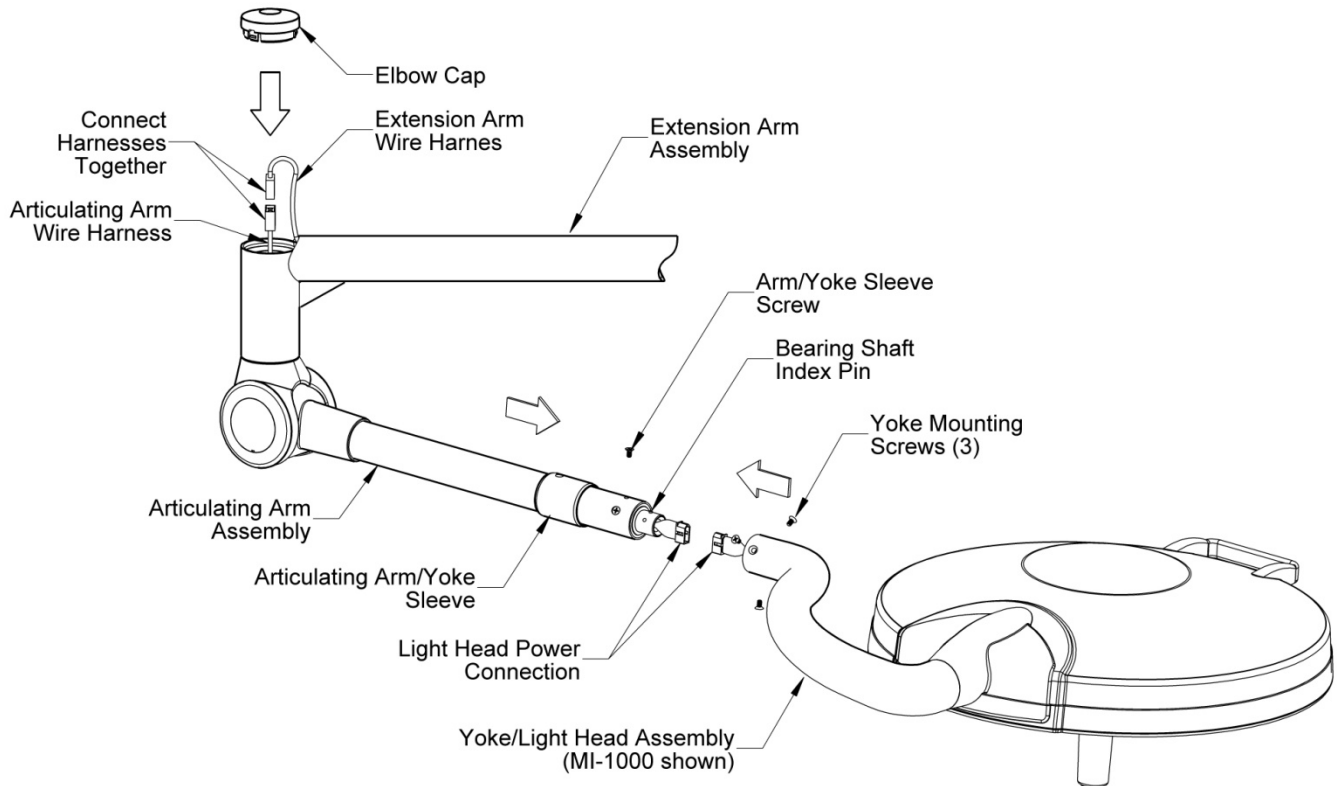





Figure 8: Installing Light Head

Now that the Articulating Arm rotates freely on the Extension Arm, using two people, lower the Articulating Arm to the horizontal position and slide the Articulating Arm/Yoke Sleeve with the screw hole positioned away from the light head onto the arm as shown in figure 8. Next, pre-align the indexing pin on the Bearing Shaft extending out of the Articulating Arm to match the position of the channel located on the inner diameter of the Yoke neck. While supporting the light head, securely connect the Light Head Power Connection. Carefully slide the Yoke onto the Arm Bushing with the indexing pin in the channel on the yoke, ensuring the power-connectors do not bind or disconnect. Attach the three (3) Flat Head Screws to secure the Yoke to the Articulating Arm. Slide the Articulating Arm/Yoke Sleeve of the Arm/Yoke Joint and install the Flat Head Screw holding the Sleeve in place. To finish, connect the Harness Interconnect that connects the Extension Arm to the Articulating Arm.

Connecting the Ceiling Mount to AC Mains

-  Ensure that the building mains supply is turned off before proceeding.
-  Provide supply mains in accordance with Local Electrical Code.
-  Ensure the input supply is **Single Phase, between 100-240 VAC.**

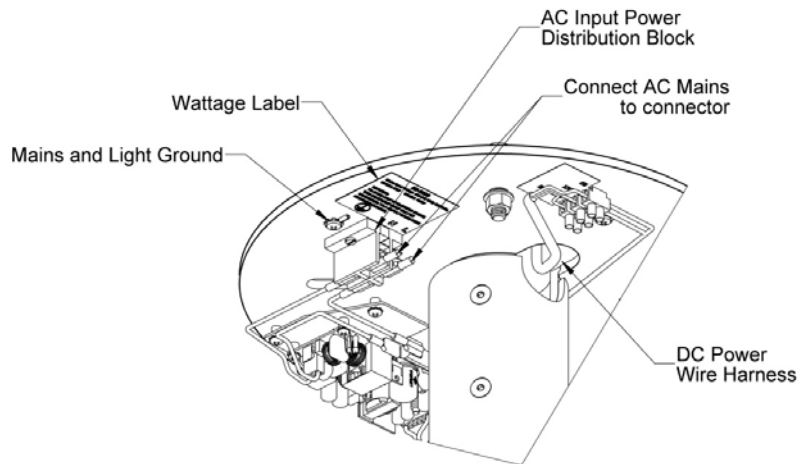


Figure 9: Connecting AC Mains

Attached the supplied Connectors to the building AC Mains cable and then plug these connectors to the AC Input Power Distribution Block. Ensure a secure connection. Re-energize the AC Mains and test the light to assure the light head has power.

Finishing the Installation

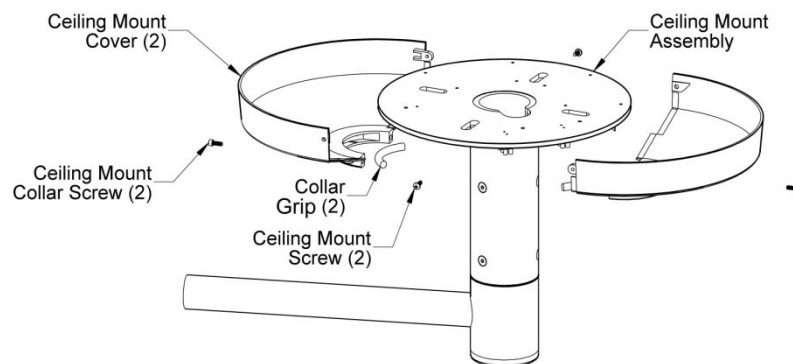


Figure 10: Installing the Ceiling Mount Covers

Position the Ceiling Mount Cover halves as shown above. Install the two (2) Collar Grip pieces into the recesses of the cover halves. Install the using two (2) Allen Cap Ceiling Mount Collar Screws. Tighten the screws until the cover is held in place. Then install the two (2) upper Ceiling Mount Screws. Do not over-tighten. Finally, snap the Elbow Cap into place.

Wall Mount Installation

The shipping carton contains a light head assembly, arm assembly, extension arm assembly, a wall bracket assembly with a hospital grade plug attached, hardware kit, and an Installation and Service Manual. (Mounting hardware for attaching the wall bracket to the wall is not supplied). Prior to installation ensure that all components shown are present.

⚠ When removing parts from the shipping carton, be careful not to damage the components. Important: thoroughly check each box for parts that may be located in areas that can be overlooked.

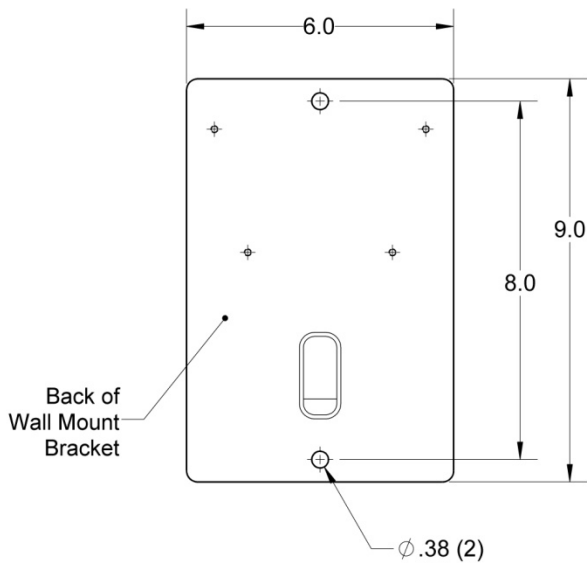


Figure 11: Wall Bracket Mounting Template

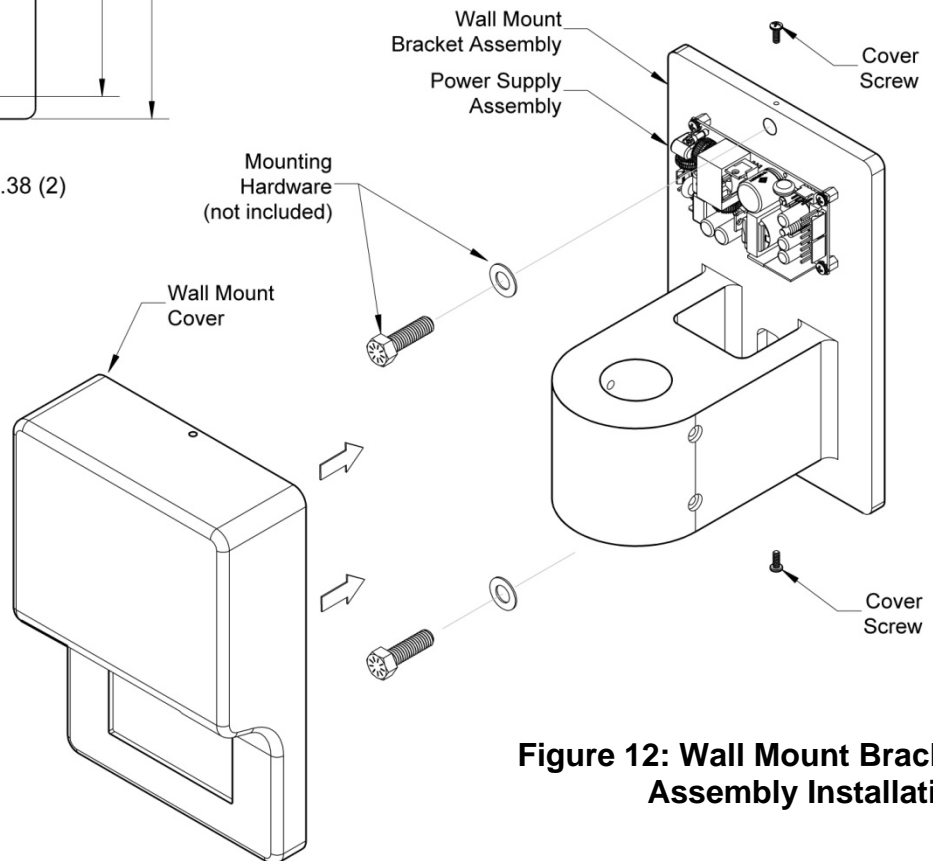


Figure 12: Wall Mount Bracket Assembly Installation

Wall Mounted Light Installation

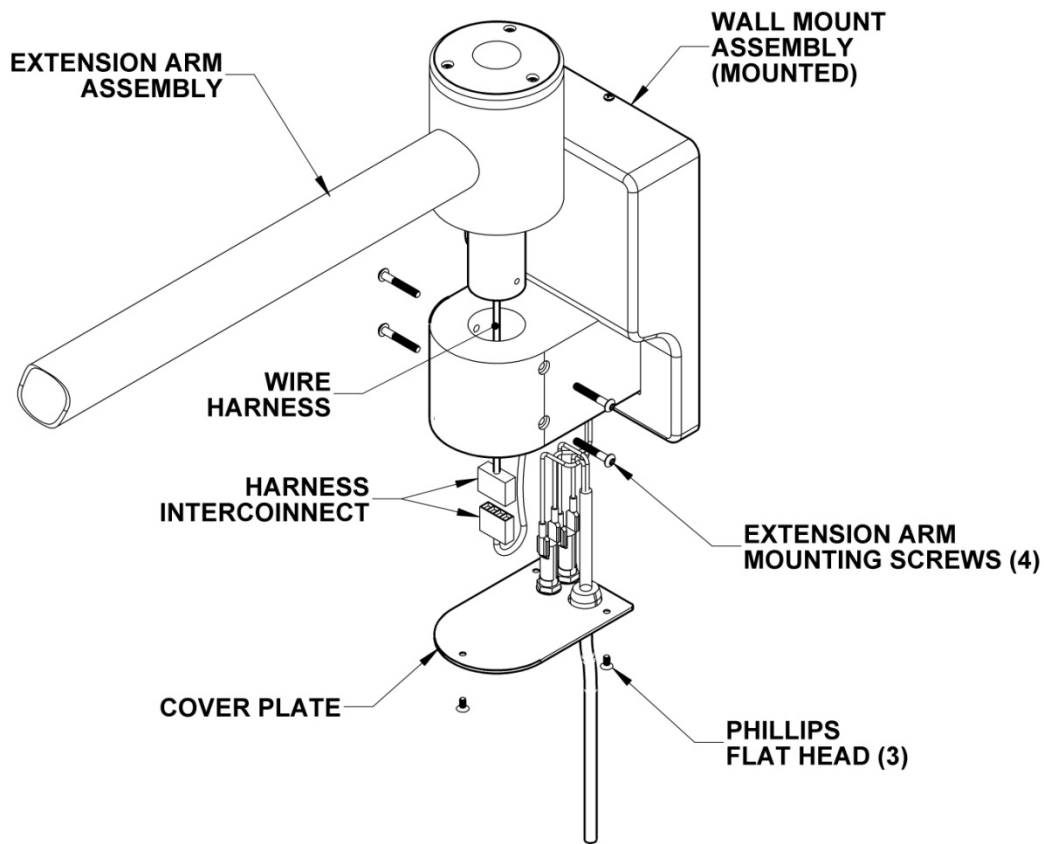


Figure 13: Extension Arm Mounting on Wall Bracket

⚠ Improper fastening of the wall bracket can cause serious injury and/or property damage. Make certain the installation is capable of supporting a load of at least 132 pounds and an off center moment of 352 ft-lbs.

⚠ The supply circuit line must be as follows: 100-240VAC, 50/60 Hz, single phase, three-wire and capable of supplying 100W.

⚠ The equipment is not compatible with any sort of electrical dimming device. Use line voltage only. To maintain proper grounding reliability, the ground wire connections with the wall bracket must be kept properly fastened at all times

Wall Mounted Light Installation (cont'd)



Do not install the extension arm with the articulating arm attached. Installation with the articulating arm can cause damage to the articulating arm. Refer to the procedure for installing the articulating arm after the bracket and arm are installed.

Recommended Wall Structure Construction Details

The illustrations below are suggested mounting schemes per 2001 California Building Code – Section 1632A: Anchorage and Seismic. For any other mounting scheme, please consult a structural engineer and/or professional contractor for the best solution for your situation. Installation and repair of this equipment should be performed by qualified persons only.

Wall mounting with load anchor or stud anchor

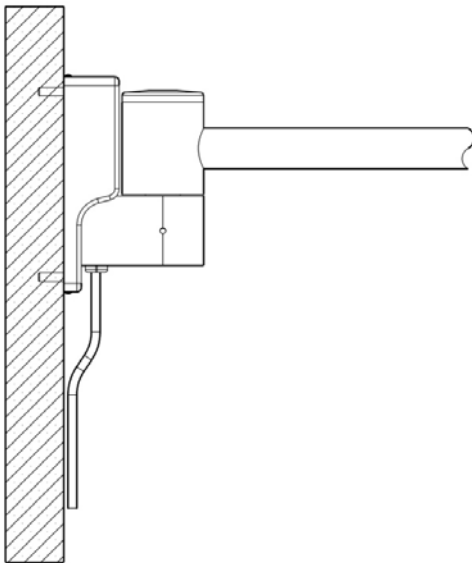


Figure 14: Wall mounting with load anchor or stud-anchor

Concrete Wall (3000 PSI min., 6" thick min.):
Use two Ø3/8 HILTI KB3 Expansion Anchors or approved equivalent bolts (min. embed. 3"). See Figure 16. Stud Anchor Installation. Also see HILTI technical document ESR-2302 for additional concrete anchoring information.

Wall mounting with Backing Plate (not provided)

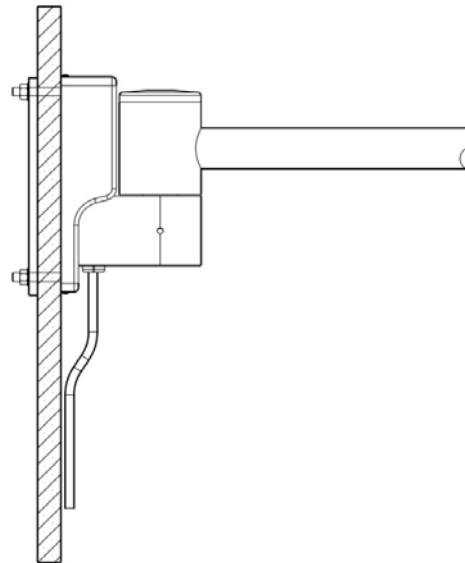
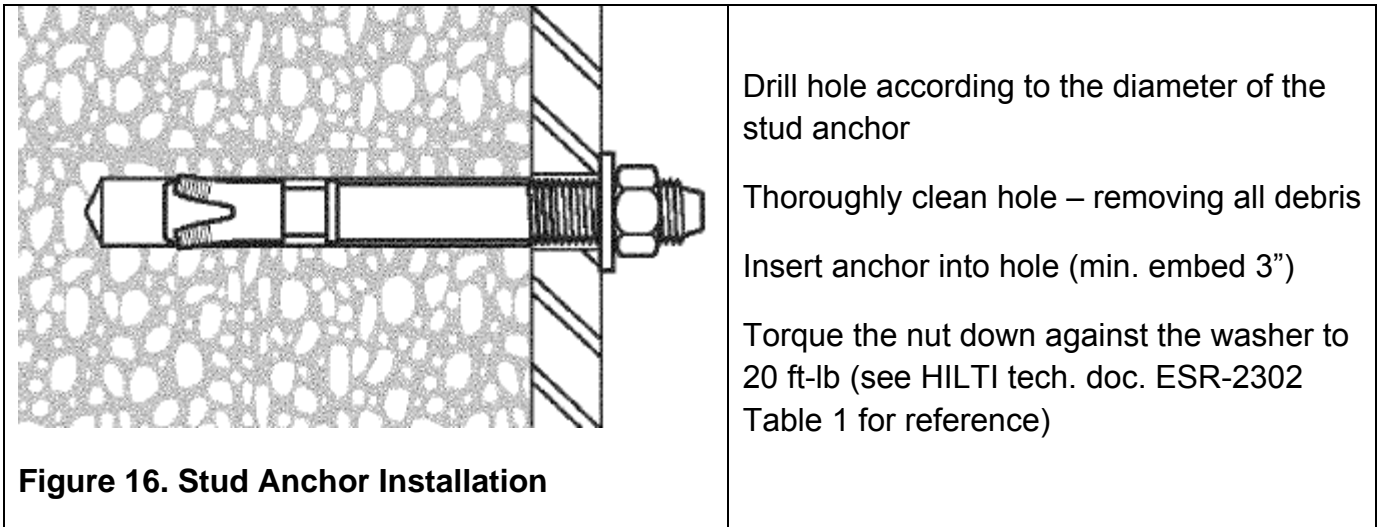


Figure 15: Wall mounting with Back-Plate

Lattice stone, cinder block, etc. (min. 5/8" wall board thickness):

Use two Ø3/8 A307 Bolts with nuts/washers to Backing Plate

Wall Mounted Light Installation (cont'd)



After the wall bracket is mounted to the wall, install wall bracket cover and fasten using 2 cover screws (top/bottom).

Remove the three (3) screws holding the Cover Plate in place. Carefully pull the plate away from the wall bracket to expose the harness connector. **DO NOT use excessive force during this procedure or in any way loosen or disconnect the green wires within the bracket.**



Failure to comply with local electrical codes can cause a shock hazard.

Bring the extension arm over the wall bracket and feed the wire harness and connector into the bracket. Secure the extension arm to the bracket with the four (4) screws provided. Connect the extension arm wire harness to the power supply.

Next, connect the power cord (or mains) to the input of the power supply. Replace the Cover Plate to the bracket with the three (3) screws.

If connecting directly to the building mains, route the mains wire through the opening on the back of the wall bracket. Wire to the fuses observing polarity to the input of the power supply.

Mount the spring arm and light head to the extension arm (see pages 18 and 19). Ensure smooth operation in horizontal and vertical movement. Plug the unit into a non-dimmable wall receptacle or reenergize the mains branch that is powering the light. The light is now ready to use.

Floor Stand Light Assembly General Information

The shipping carton contains a light head assembly, arm assembly, arm block, floor base casting, two leg assemblies, a hardware kit, and an Installation and Service Manual. A second carton contains the upright pole assembly. Prior to installation insure that all components are present.

⚠ When removing parts from the shipping carton, be careful not to damage the components. Important: thoroughly check each box for parts that may be located in areas that can be overlooked.

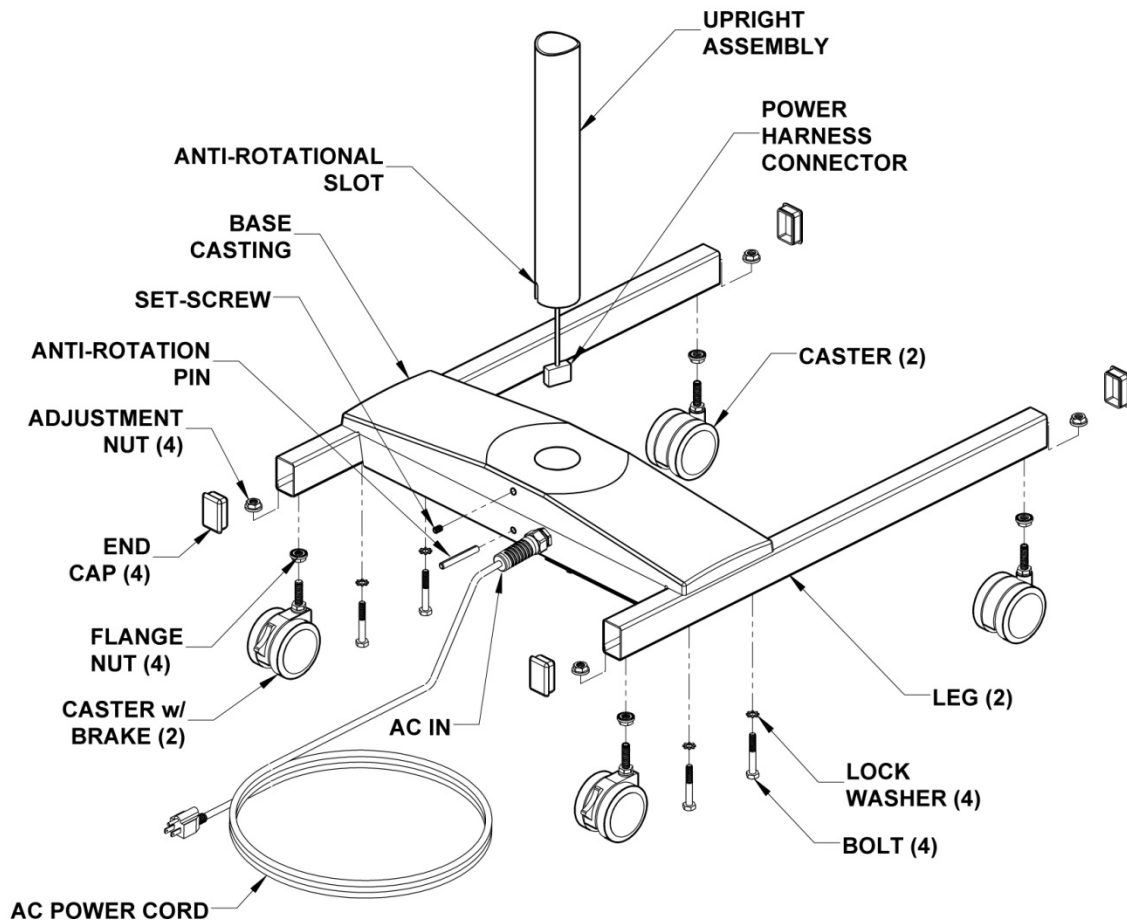


Figure 17: Floor Stand Base Installation

Floor Stand Light Assembly (cont)

Bolt the assembled legs onto the cast iron base using four ¼"-20 x 1 ¾" bolts and ¼" lock washers. Position the floor base casting so that the set-screw in the base is at the rear of the assembly.

Insert the upright pole fully into the floor base casting so that the anti-rotation slot sits over the pin in the casting. Rotate the pole until the slot slides fully over the pin, and lower the pole completely into the base. Once the pole is properly positioned, securely tighten the set-screw using the 1/8" hex key provided.

Floor Stand Electrical Connection

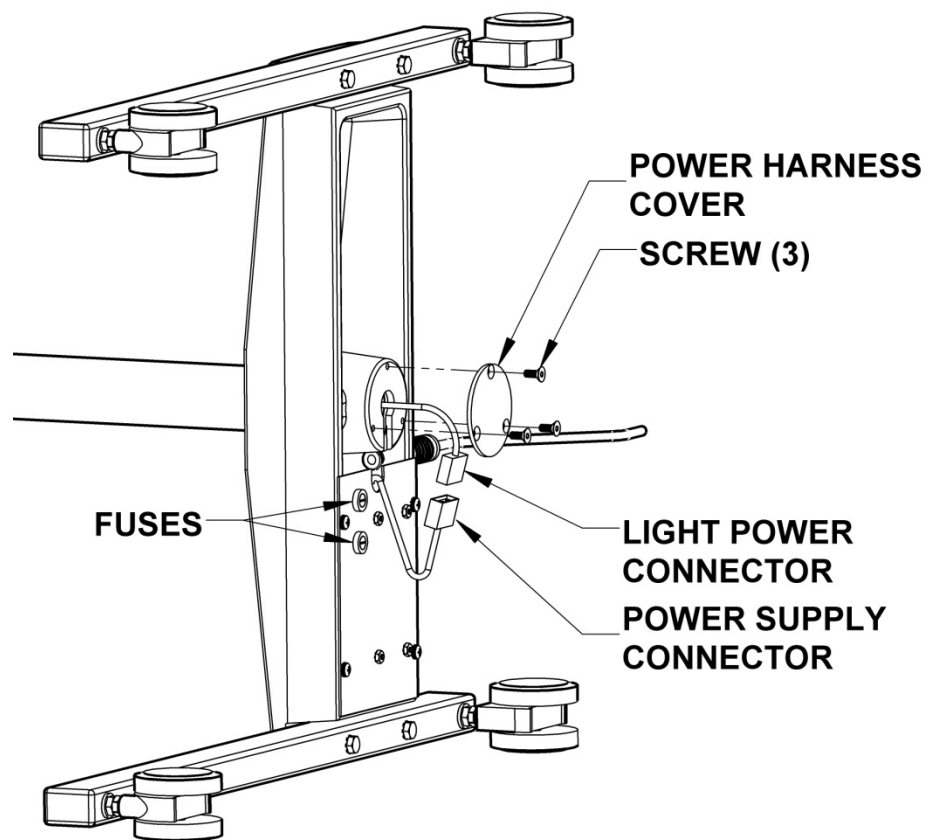


Figure 18: Floor Stand Electrical Connection

Connect the wires as shown and install the power harness cover with three (3) screws as shown in figure 18. Make sure wires are routed to avoid pinching.

Floor Stand Light Assembly (cont)

To finish the assembly, with the Floor Stand Base and Upright assembled, attach the Arm Block and Articulating Arm as shown below.

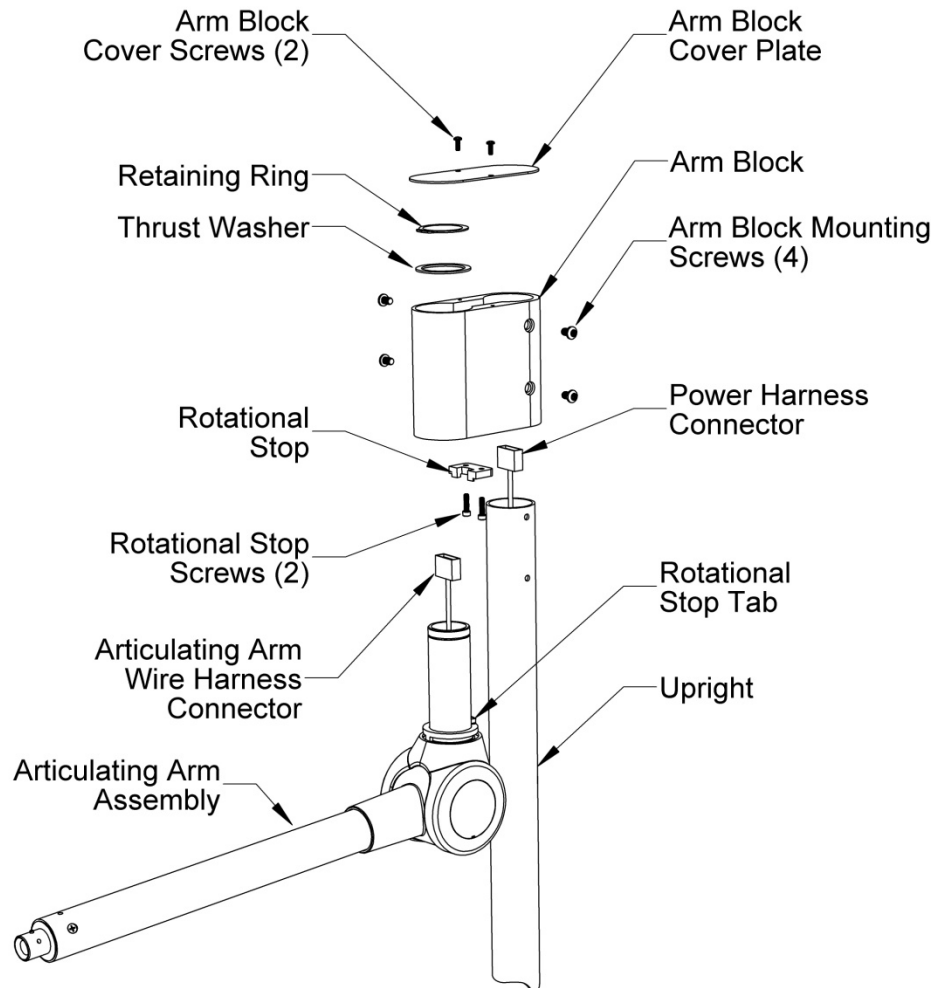


Figure 19: Installing the Arm Block

Install the Arm Block to the Upright using the four (4) Mounting Screws. Install the Articulating Arm so that the Rotational Stop Tab is aligned to fit in the reveal on the Rotational Stop (installed). Install Articulating Arm as described in Fig 7 on Page 18 and the Yoke/Light Head Assembly as described in Fig 8 on Page 19.

Section 4: Operating Instructions

⚠ Ensure that the Light is properly installed before attempting to operate the light and arm mechanism.

On/Off: To turn the light on or off depress the on/off intensity button at the end of the sterilizable handle. The light starts at the highest intensity. To dim the light intensity, depress the dimming button on the sterilizable handle. To dim further depress the button again. The dimming levels vary per model. See the following table for available dimming levels. The light head will automatically reset to full mode (highest intensity) if the dimming button is depressed with the light on its lowest setting. To turn off the light, depress and hold the button so the light goes into Endo Mode (MI-1000 models only), then depress the button one more time.

On/Off & Dimming Levels

Model	Dimming Levels	Endo Mode	5	4	3	2	1
MI-1000	5	Yes	100,000 Lux	87,500 Lux	75,000 Lux	62,500 Lux	50,000 Lux
MI-750	3	–	75,000 Lux	–	56,200 Lux	–	37,500 Lux
MI-550	2	–	55,000 Lux	–	–	–	27,500 Lux

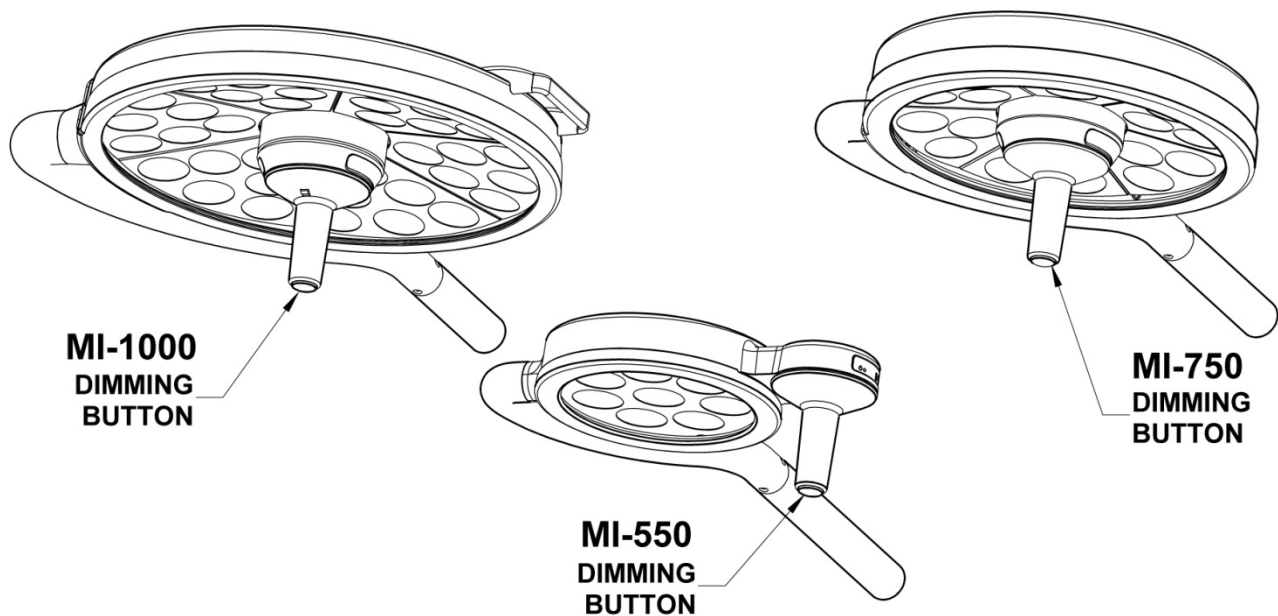


Figure 20: Dimming Button Location

Endo Mode

The MI-1000 also has an Endo (Endoscopy) Mode integrated into the lights' dimming capabilities. The output in this mode produces low level lighting for use during endoscopic procedures.. To put the MI-1000 into the Endo Mode, at any dimming level, press and hold the dimming button for 3 seconds.

Power Failures

If the light experiences a power interruption for any reason, the light is programmed to return to the dimming level that was applied before the power failure. This feature is intended to maintain the same lighting intensity when the power is restored and is applicable to the intensity level, the Endo Mode and the off position.

Positioning the Light Head













 **Ensure that the Light is properly installed before attempting to operate the light and arm mechanism.**

To position the light head and arm over the work area, firmly grasp the Sterilizable Handle and bring the light head or arm to the desired location. Adjust the tilt of the light head by holding the Sterilizable Handle and rotating forward or backward. The light head can revolve around the Yoke/Arm connector by tilting the light head and rotating the head using the sterilizable handle. The arm should move smoothly and remain at the desired position.

Each rotational joint in the arm allows 540 degrees of rotation before the internal stop mechanism engages. The light head can rotate 330 degrees on the yoke before the internal stop engages.

Section 5: Safety and Maintenance Instructions

Safety Tips

-  Only facility authorized maintenance personnel should troubleshoot the unit. Troubleshooting by unauthorized personnel could result in personal injury and/or property damage.
-  Only facility authorized personnel should repair the unit. Repair by unauthorized personnel could result in personal injury and/or property damage and could void warranty.
-  After completing a repair of the unit, ensure the unit is in proper working order. Failure to do so could result in personal injury and/or property damage
-  Do not touch the LED's or lenses directly. Body oils may significantly lower the optical performance of these parts and may cause equipment damage.
-  Follow the product manufacturer's instructions. Failure to do so could result in personal injury and/or property damage.
-  If the unit fails any part of the preventive maintenance functional checks, repair the unit before use on any patient. Failure to do so could result in personal injury and/or property damage.
-  Do not use harsh cleaners, solvents, or detergents. Failure to do so could result in equipment damage.
-  Do not use silicone-based lubricants. Equipment damage could occur.
-  Turn the power off or unplug the power cord before any repairs are started. Failure to do so could result in personal injury and/or property damage.
-  Do not pinch any wires during installation or during any repair. Pinched wires can cause an electrical shock hazard, resulting in personal injury and/or property damage.
-  Do not expose the unit to excessive moisture. Failure to do so could result in personal injury and/or property damage.
-  Do not rest articles or liquids on top of the Light Head. Spilled liquids will damage the light head and arm assemblies causing an electric shock hazard.

Maintenance Fuse Replacement

IMPORTANT: Make sure that the power supply disconnected to the light before replacing the fuse(s).

Lights that are connected directly to supply mains require 1 fuse per light head

Lights that are plugged into wall outlets require 2 fuses per light head

Locate the fuse holder locations:

Light Type	Fuse Location	Fuse Access
Ceiling Mounted	On the Power-Supply assembly located on the Ceiling Mounting Plate	Remove Ceiling Covers
Wall Mounted	On the Power-Supply Assembly located on the Wall Mount Bracket	Bottom of Wall Bracket
Floor Model	On the Power-Supply Assembly located on the bottom side of the Base	Position the Floor Base on its side



Use only Medical Illumination fuses. See the following table to identify the correct fuse for your model. All fuses must be 250VAC, Slow-Blow. Failure to do so could result in personal injury and/or property damage.

Model	Fuse	MI Part Number
MI-1000	2.5A/250VAC SLO-BLO	0003410
MI-750	1.5A/250VAC SLO-BLO	0001314
MI-550	1.5A/250VAC SLO-BLO	0001314

LED Maintenance



If one or more LED(s) are off and/or generate noticeably dim light output, contact our customer service department at (818) 838-3025. The LED's are not readily replaceable by end users and should only be serviced by Medical Illumination or facility authorized maintenance personnel.

Adjusting the Articulating Arm

⚠ Ensure that the Arm/Light Head is in its highest vertical position before attempting to adjust the arm tension. Do not over-tighten.

Over time the spring in the Articulating Arm can lose some of its energy. When this happens, the light head fails to hold its vertical position. When this occurs, use the Allen Wrench supplied in the Hardware Kit to adjust the spring tension. Move the arm to its highest vertical position and insert the Allen Wrench through the Spring Adjustment Access Hole and slightly rotate the Allen wrench until it fits into the hex socket on the adjustment screw. Turning the wrench counter-clockwise increases the tension and clockwise decreases the tension. Adjust so that the light head maintains its vertical position. Do not move the arm with the Allen wrench in the Spring Adjustment Access Hole. Remove the Allen wrench before moving the vertical arm position.

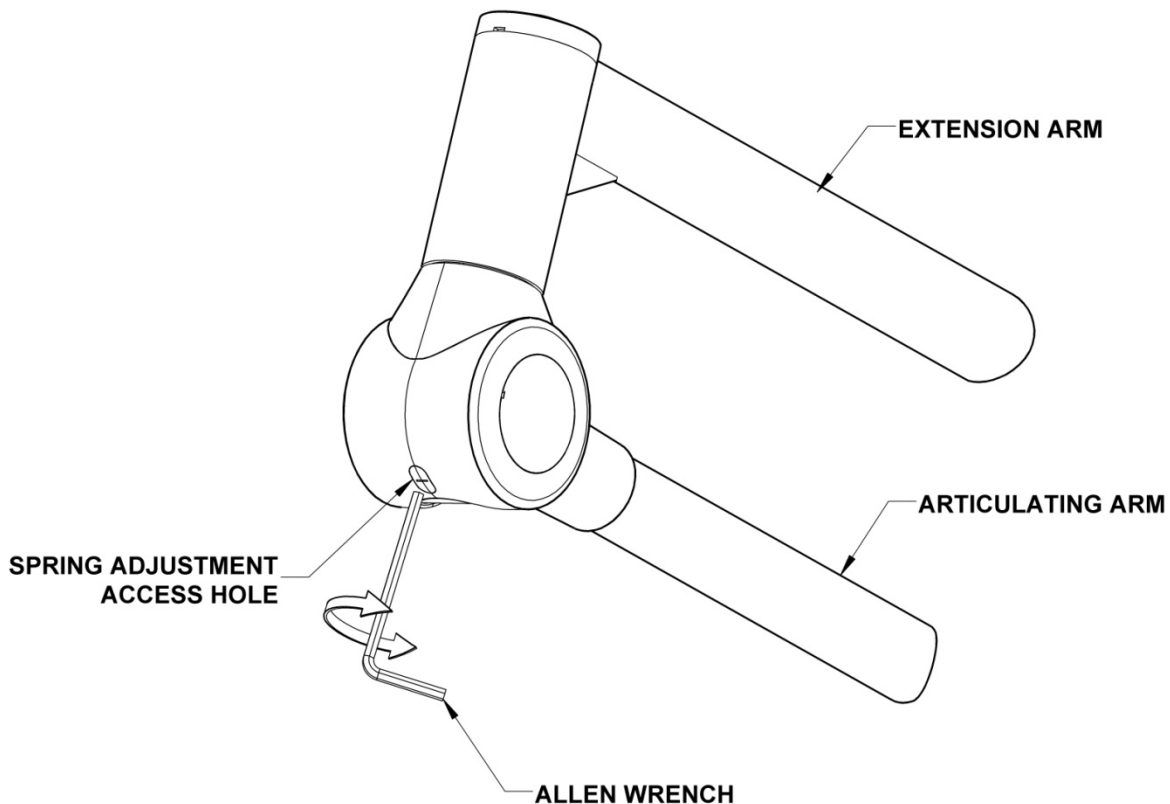


Figure 21: Adjusting the Articulating Arm

Handle Sterilization

Remove sterilizable handle by pressing the button near the base of the handle and pulling the handle off the handle post. See the following illustrations.

Sterilize the handle utilizing steam sterilization of minimum 250° Fahrenheit for a minimum of 30 minutes in compliance with AAMI-SSSA-1988: Good Hospital Practices, Steam Sterilization and Sterility Assurance, or an approved equivalent method.

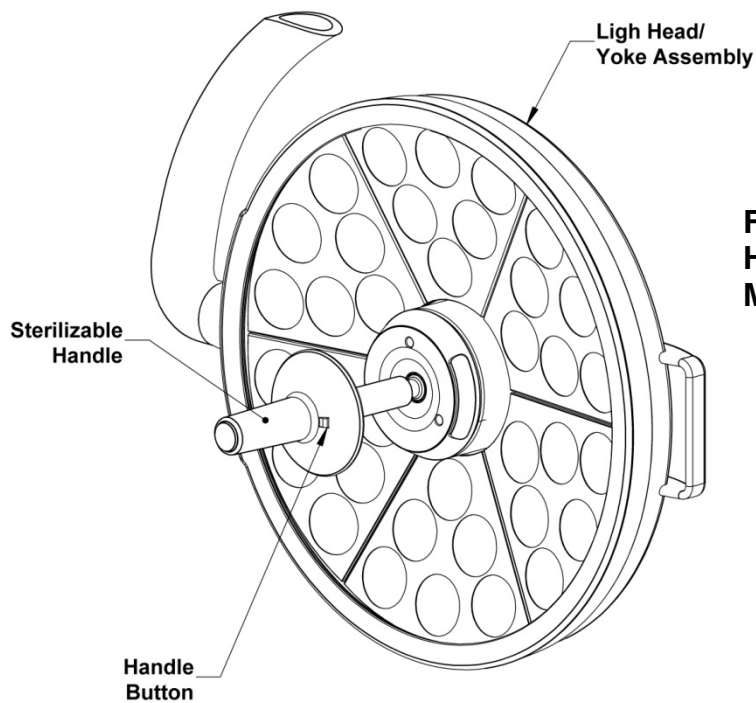
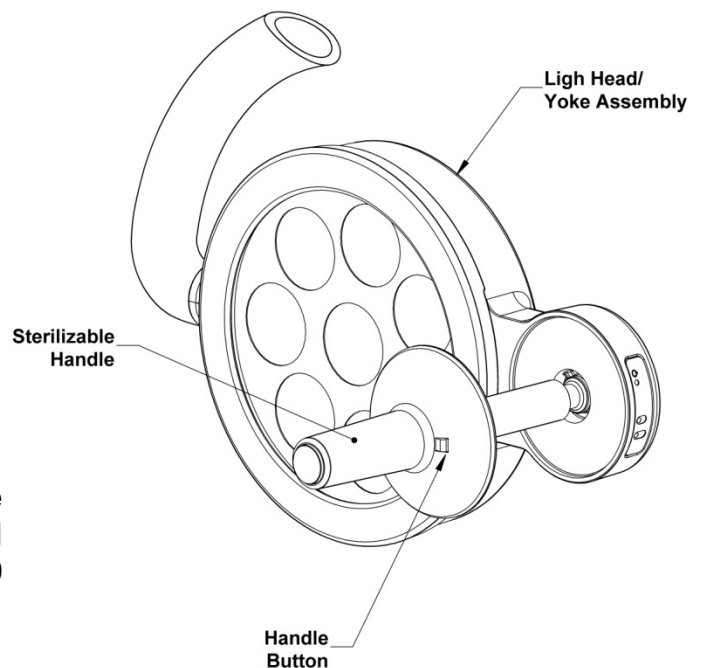


Figure 22: Sterilizable Handle Removal MI-1000/MI-750

Figure 23: Sterilizable Handle Removal MI-550



Cleaning Instructions

- The front lens is made from a UV resistant polycarbonate plastic that has an external hard coating to resist scratching. Clean the lens using glass/plastic cleaner or mild soap and water mix. It is very important to use a clean, soft cloth to avoid any scratching of the diffuser. Never spray the cleaning fluid directly onto the lens surface, but instead spray into clean cloth and then wipe the lens.
- Clean the light housing and arm using mild soap and water mixture. Apply this mixture to a clean cloth and wipe down the light head and arm. Never spray the cleaning fluid directly onto the light head or arm, but instead spray onto clean cloth and then wipe the light head and arm.



Do not use harsh cleaners, solvents, or detergents. Failure to do so could result in equipment damage.



The front lens is supplied with a protective hard coat to resist scratching. Never use abrasive cleaners on front lens. Failure to do so could result in equipment damage.



Do not expose the unit to excessive moisture. Failure to do so could result in personal injury and/or property damage.

Table 1: Preventative Maintenance Schedule

Function	Procedure
Bolts and Nuts	Check to see that all mounting and attachment bolts, set screws, pins, etc. are in place and securely tightened. Replace any missing bolts and re-tighten as required.
Moving Joints & Adjustments	Check to make sure that all moving joints function properly along the mounting system, head and arm assemblies. If the articulating arm does not hold position (drifts from original position) refer to arm adjustment section. If the light head drifts, refer to the light head friction adjustment section. If this does not resolve the problem, contact the Customer Service Department in that the unit may require factory repair.
Overall Appearance	Check the general aesthetics of the light system. The unit should be kept clean and dust free. Clean and dust as necessary.

Note: Maintenance schedules vary for each light depending on usage and operating instructions. An annual inspection of the equipment is recommended.

Note: It is highly recommended that the maintenance records for this equipment be kept on file at the health care facility.

Maintenance Schedule

Function	Procedure
Front lens/Optics	Check front lens and optics to assure there are no chips, cracks, or other damage. Do not use equipment if parts are damaged. Replace damaged parts immediately.
Bolts and nuts	Check to see that all mounting and attachment screws, washers, etc. are in place and securely tightened. Replace any missing screws and re-tighten as required.
Casters	Ensure that casters are seated properly on the base assembly. Examine the base for any damage.
Moving joints/Adjustments	Check to make sure all moving joints function properly along the mounting system and head and arm system. If the articulating arm does not maintain its position properly (drifts from original position) check the mounting plate levelness. If the vertical position fails to maintain its position, use the spring tension adjustment screw. If this does not solve the problem contact customer service as the unit may require factory repair.
Overall appearance	Check the general aesthetics. Units should be kept clean and dust free. Clean and dust as necessary.



Note: Maintenance schedules vary for each light depending on usage and operating instructions. An annual inspection of the equipment is recommended at a minimum.



Note: Medical Illumination International Inc. recommends that the maintenance records for this equipment be kept on file at the health care facility.

Section 6: Troubleshooting

General Troubleshooting



Warning: Disconnect the light from the power supply before attempting any of the electrical checks mentioned below.

Problem	Possible Cause	Remedy
Light will not turn on or stay on	<ol style="list-style-type: none"> 1. Power to unit is off (not plugged in) 2. Blown (open) fuse 3. Exposed wires are cut or damage 4. Wire not connected correctly during installation. 5. Wire connections made during installation have been disconnected 6. No input power to light unit 7. Disconnected wires at switch or PSU 8. No power output from PSU when input power to PSU is measured 9. Wire connections made during installation have been reversed 10. Sterilizable handle button not engaging power push button switch properly 	<ol style="list-style-type: none"> 1. Turn on power (plug in unit) 2. Replace fuse 3. Replace wire assembly 4. Check all wiring connections 5. Reconnect wires per the instructions. 6. Check power input connections and circuit breakers 7. Reconnect wires 8. Replace PSU 9. Connect proper wires together: black-black and red-red 10. Take off sterilizable handle and inspect handle post assembly with switch. Make sure handle post is tightly assembled. Make sure the button in the sterilizable handle can move freely
Light does not maintain its position vertically	<p>Spring tension is incorrect</p> <p>Additional equipment was added to unit</p>	<p>Adjust spring tension</p> <p>Remove any additional equipment from arm</p>
Light does not maintain its position horizontally	<p>Ceiling Mount Assembly is not level</p> <p>Ceiling Mounting screws are loose</p> <p>Arm/Head needs friction adjustment.</p>	<p>Level Ceiling Mount by shimming</p> <p>Tighten ceiling Mount fasteners.</p> <p>Adjust the friction adjustment</p>

Section 6

General Troubleshooting (cont'd)

Problem	Possible Cause	Remedy
Arm cannot be moved any lower	Arm is against internal stop	Rotate arm in opposite direction
Arm cannot be raised any higher	Arm is against internal stop	Rotate arm in opposite direction
Arm stopped moving horizontally	Arm is against internal stop	Rotate arm in opposite direction
Caster/casters cannot be reinstalled	Floor base has been damaged	Contact Customer Service or Field Representative
Upright rotates in floor stand	Upright set screw is loose. Upright is not fully seated on anti-rotation pin	Securely tighten set screw. Reinstall upright. Ensure the upright fully seats on the anti-rotation pin seats