



Examination Light

# Outpatient<sup>®</sup> LED

Sleek, powerful, efficient and precise light



burton<sup>®</sup>

## Examination Light

# Outpatient LED

The next generation of examination lighting has arrived.

Outpatient LED is the perfect low maintenance, top-performing light for examination applications in the hospital, physician's office and veterinary field.

### Designed for patient comfort and ease of use

- LED sources provide virtually heat-free light for patient comfort
- High quality light for accurate color rendition
- Designed to reduce shadows on the examination area
- Modularity for ease of installation and assembly

### Enhanced performance

- Increased illuminance to 90,000 lux (8361 fc) at 24" (61 cm)
- CRI (Color Rendering Index) > 95
- High R9 > 87, to accurately render skin tones
- Anti-microbial paint to inhibit the growth of microbes
- Lower profile to reduce space impact

### Lower cost of ownership

- LED illumination offers 10x (or 50,000-hour average) the operational life of traditional halogen solutions
- Provides a 75% energy savings over current halogen option
- Smooth finish aids routine cleaning
- Reduced maintenance



Single Ceiling Mount



Double Ceiling Mount

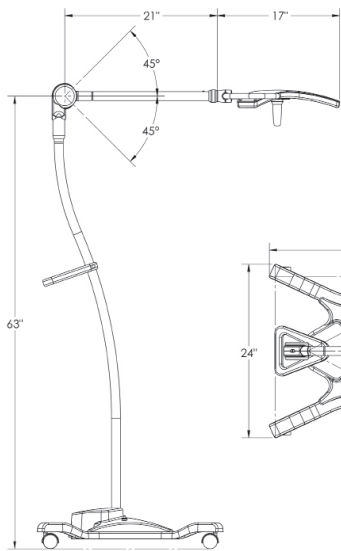


Floor Stand

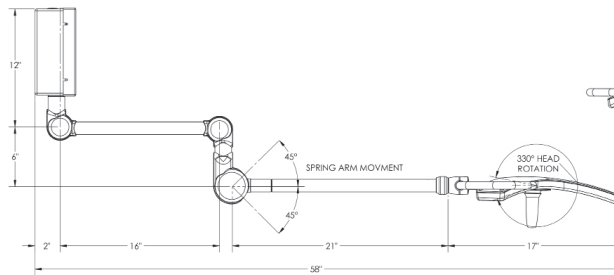
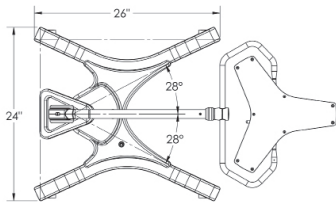
*All models are sold complete with light and arm system. (Product images not to scale.)*



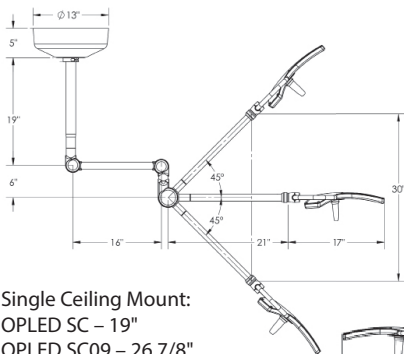
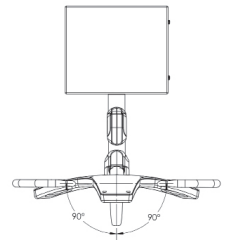
## Outpatient LED product dimensions



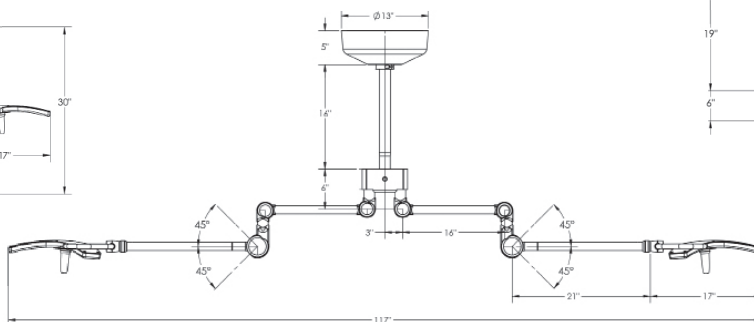
Floor Stand



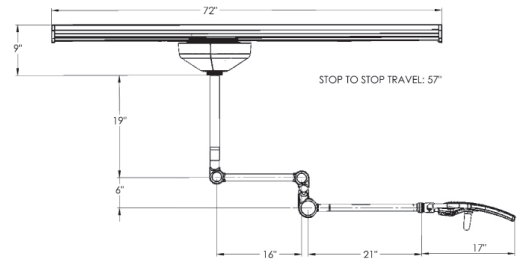
Wall Mount



Single Ceiling Mount:  
 OPLED SC – 19"  
 OPLED SC09 – 26 7/8"  
 OPLED SC10 – 34 3/4"



Dual Ceiling Mount:  
 OPLED DC – 16"  
 OPLED DC09 – 23 7/8"  
 OPLED DC10 – 31 3/4"



Fastrac Ceiling Mount:  
 6000424 - stop to stop travel 57"  
 (must be ordered in addition to the  
 Outpatient LED Single or Dual  
 Ceiling Mounts)

# Summary of technical data

## OUTPATIENT LED

Illuminance:	90,000 Lux (8361 fc) at 24" (61 cm)
Color Temperature:	3700 Kelvin
CRI (Color Rendering Index):	95
Light Source:	Light Emitting Diode (LED)
Rated Life of LED:	50,000-hour average LED life
Power:	42 Watts
Power Supply:	Integral Electronic Driver
Mounting Options:	Floor Stand, Wall, Ceiling
Maximum Arm Reach:	37.5" (95.25 cm)
Certifications/Approvals:	AAMI ES60601-1, IEC 60601-1-2, EN/IEC 60601-2-41 and CAN/CSA C22.2 NO. 60601-1 certified
Product Warranty:	5-year limited warranty

# Ordering Information

## OUTPATIENT LED

Universal Input 100-240v 50-60Hz Model	Description
OPLEDFL	OPLED, Floor Stand, NEMA 5-15P
OPLEDFL01	OPLED Floor Stand, CEE 7/7
OPLEDFL02	OPLED Floor Stand, AS/NZS 3112
OPLEDFL03	OPLED Floor Stand, BS1363
OPLEDW	OPLED Wall Mount
OPLEDSC	OPLED Single Ceiling Mount
OPLEDSC09	OPLED Single Ceiling Mount 9 foot
OPLEDSC10	OPLED Single Ceiling Mount 10 foot
OPLEDDC	OPLED Dual Ceiling Mount
OPLEDDC09	OPLED Dual Ceiling Mount 9 foot
OPLEDDC10	OPLED Dual Ceiling Mount 10 foot

## ACCESSORIES

Model No.	Description
0008100PK	Light handle covers, sterile, 25/box
6000424	Fastrac Ceiling Mount (must be ordered in addition to the Outpatient LED Single or Dual Ceiling Mounts)

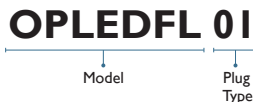


Must be ordered in addition to the Outpatient LED Ceiling Mounts

## IEC Plug Type

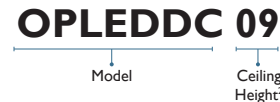


**Floor Model Only:** Add appropriate Plug Type to the end of the model number. <sup>1</sup>



**Example 1:** OPLEDFL for a 100-240V Floor Wall Model with Nema 5-15P Plug.  
**Example 2:** OPLEDFL01 for a 100-240vV Floor Stand Model with SCHUKO CEE 7/7

**Ceiling Models Only:** Add appropriate Ceiling Height to the end of the model number. <sup>2</sup>



**Example 3:** OPLEDSC for a 100-240V Single Ceiling Model, 8 Foot Ceiling Height.  
**Example 4:** OPLEDDC09 for a 100-240V Dual Ceiling Model, 9 Foot Ceiling Height.

<sup>1</sup> 100-120V Do not add Plug Type, NO CODE: NEMA 5-15P, 01: CEE 7/7, 02: AS/NZS 3112, 03: BS1363.  
<sup>2</sup> 8 Foot Ceiling: No Code Required



**burton®**

Burton Medical, LLC  
 2300 W Windsor Ct., Suite C  
 Addison, IL 60101 USA  
 Phone (800) 444-9909, Fax (800) 765-1770  
 Burtonmedical.com