

A close-up, high-angle view of a circular medical LED light fixture. The lens is covered in a grid of small, square, reflective elements that create a complex, multi-faceted pattern. The lighting is bright and focused, highlighting the texture of the lens. In the bottom left corner, a white cylindrical component, likely part of the fixture's housing or a control knob, is visible. The overall aesthetic is clean, modern, and clinical.

Ritter®

MEDICAL

LED Exam + Procedure Lighting

Even the smallest detail can have a big impact.

When it comes to caring for your patients, attention to detail can be crucial. Without the proper equipment, it can be difficult to provide the best possible care. During examinations and procedures, quality, color-accurate lighting can be vital to creating the right environment for confidently assessing and treating patients.



In the right light, everything looks different.

Missing something subtle during examinations and procedures can have a tremendous impact on diagnosis, treatment and clinical outcomes. To accurately assess anatomical structures and variations in tissue, you need a clear, well-illuminated view.

Ritter® LED Exam and Procedure Lighting by Midmark combines the dependable, long-lasting benefits of LED technology with exceptional optics designed to help you properly identify and diagnose variations in tissue.



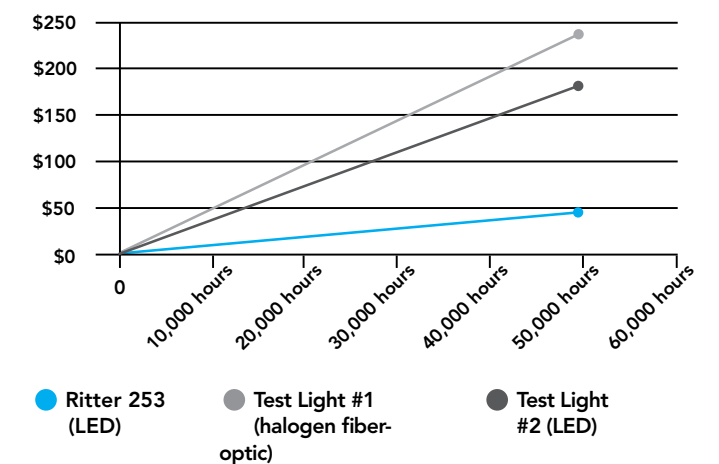
The color-rendering index (CRI) indicates how exactly colors are reproduced in comparison with daylight. The closer this number is to 100, the more accurate the lighting system. Ritter lighting has exceptionally high CRI values at greater than 97 for proper pigmentation.

Quality + Affordability

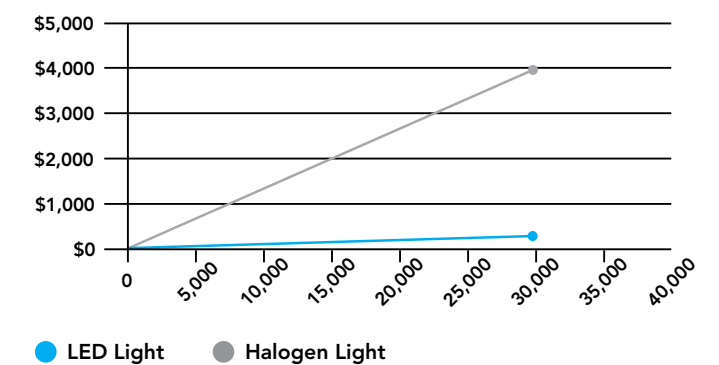
Ritter LED Exam and Procedure Lighting is designed to provide quality, durable and cost-effective illumination at the point of care. LED lighting technology has many benefits as compared to other forms of lighting. LEDs can last significantly longer—nearly 10 times longer than halogen and over 20 times longer than incandescent. Ritter LED lighting is designed to provide a considerable reduction in operating cost over the life of the LED.



RITTER® 253 LED EXAM LIGHT LIFETIME OPERATING COST



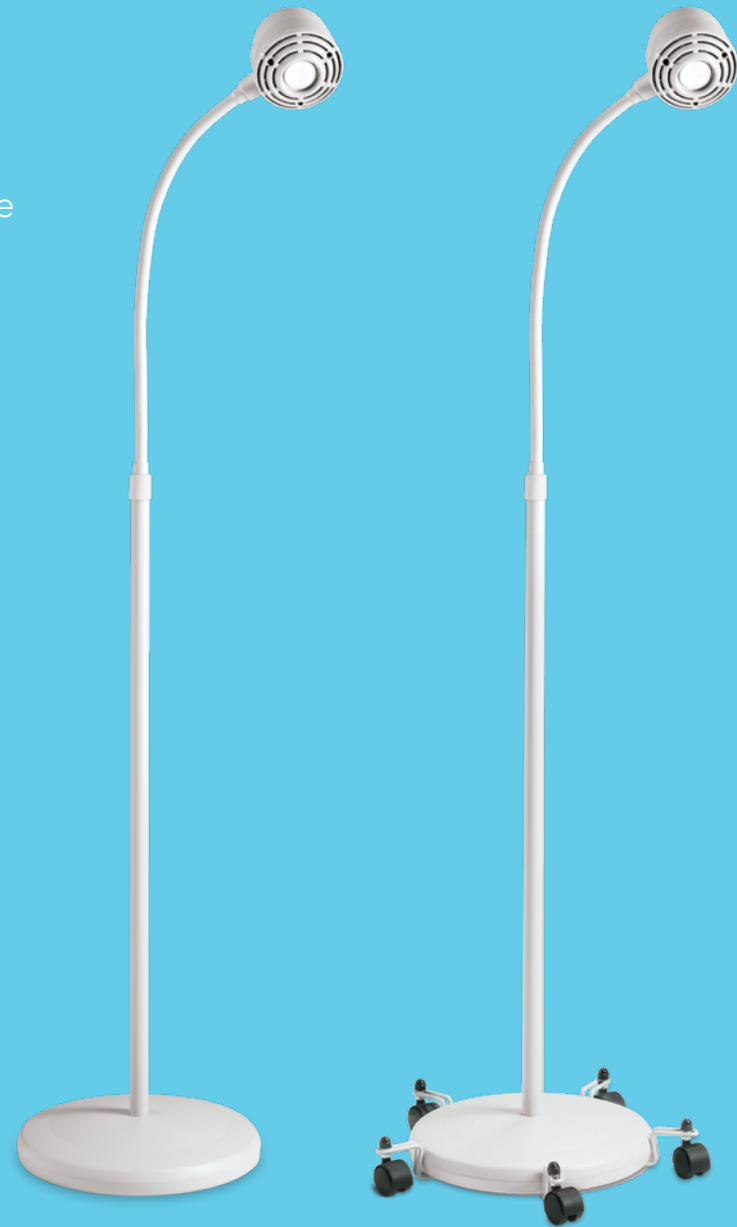
RITTER® 255 LED PROCEDURE LIGHT LIFETIME OPERATING COST



Energy consumption costs are calculated at \$0.1053 kW-hr, 8 hours of use per day and include the cost of bulb replacement.

Ritter® 250 LED Exam Light

The Ritter 250 is cost-effective, point of care exam lighting. With its unique flex arm design, easy on/off switch and LED technology, you won't have to sacrifice quality for function. Available in stationary and mobile base options.



Ritter 250 LED Exam Light

Ritter 250 Mobile LED Exam Light

Ritter® 253 LED Exam Light

Easy to use, easy to clean, durable and versatile, the Ritter 253 is designed to be a simple, space-saving lighting solution for the exam room. Because the controls are located on the light head within easy reach, you won't have to reach around the patient to adjust the lighting, helping reduce bending and reaching. The flex arm design allows you to easily position the light and reduces drifting. **And with multiple mounting options, you can choose the right model to meet your specific needs.**



Spline Mount



Rail Mount



Wall Mount Bracket



Hand Controls



Ritter 253 LED Exam Light with optional caster base accessory.

Ritter® 255 LED Procedure Light

Whether you practice in an office or specialized procedure environment, your work requires true white, shadow-free illumination and an ideal color temperature. The Ritter 255 is designed to deliver quality illumination at the point of care with a superior combination of optics that can enhance your ability to see even the faintest variations in tissue.



Ritter 255 Single Procedure Light



Ritter 255 Mobile Procedure Light



Ritter 255 Dual Procedure Light



Ritter 255 Wall Mount Procedure Light

BRIGHT

The Ritter 255 is over two times brighter (at 7,500 fc) than a typical halogen light on the market with a color temperature of 4,400 K for a natural, white light comparable to that of high noon natural light.

EFFICIENT

An integrated on/off switch and dimmer on both sides of the light head provide control in a convenient location for more efficient operation. The sleek contours and sealed light head can simplify cleaning and disinfecting. And the handle can be removed for steam sterilization.

EFFORTLESS

The Ritter 255 is counterbalanced to provide precise positioning with less force required—all without the drifting or frequent adjustments common in spring-based systems. The yoke design can further simplify positioning with a smooth range of motion.

SPECIFICATIONS

RITTER® 250

Light Source:
Three 12V LED / Type MR16
(with glass cover)

Illumination @ 18" (45.7 cm): 1,800 fc
(19,375 lux)

Color Temperature: 4,000 K

Life: 25,000 hours

ELECTRICAL

115 VAC, 50/60 Hz, 0.12 AMP
Power Cord: 8 ft (2.5 m), Hospital
Grade Plug

250 light meets IEC 60601 medical
safety standard for US and Canada

MECHANICAL

Light Head
Size: 4.5" (11.4 cm) dia. x 4"
(10.2 cm) long

Flex Arm
Length: 22" (55.8 cm)
Diameter: 0.585" (1.5 cm)

Neck Material: High carbon steel
Neck Covering: Heavy duty vinyl

Base Tube
Length: 36" (91.4 cm) long
Outer tube diameter: 1.0" (2.5 cm)
Tube material: Painted Mist steel tube

Standard Base Housing
Diameter: 13" (33 cm)
Height: 2.25" (5.7 cm)
Weight: 12 lb (5.4 kg)

Color: Mist

RITTER 250 ACCESSORY

9A621001 Mobile caster stand (only)

RITTER® 253

Light Source:
Single LED

Intensity at typical working distance
of 16" (40.64 cm): 1,500 fc
(16,500 lux) nominal

Color temperature: 4,500 K

Life: greater than 30,000 hours
LED manufacturer supplied data

ELECTRICAL

110-240 VAC, 50/60 Hz, 0.3-0.4 AMP

253 light meets IEC 60601 medical
safety standard for US and Canada

Power Cord: 8 ft (2.5 m), Hospital
Grade Plug

MECHANICAL

Light Head
Size: 2" (5.08 cm) dia x 5.32"
(13.51 cm) long

Flex Arm
Length: 54.5" (138.43 cm)
Diameter: 0.75" (1.90 cm)
Neck Material: Carbon steel/
aluminum/brass
Neck Covering: Polyolefin
(Polyethylene)

Control Box
Height: 4.75" (12.06 cm)
Width: 6.75" (17.15 cm)
Depth: 2.62" (6.65 cm)

Color: Mist

Weight
Light head/flex arm/control box unit
3 lb (1.4 kg)
Light head/flex arm/control box/
caster base 12.2 lb (5.5 kg)

*Mounts to chairs with a 2006 or
newer manufacture date

RITTER 253 ACCESSORIES

9A619001 LED exam table mounting
hardware (only) - models 204/22X*/62X*

9A620001 LED exam chair mounting
hardware (only) - model 626 with
32" upholstery

9A622001 LED procedure chair
mounting hardware (only) -
models 230/630/641/646/647

9A628001 LED light mobile caster
stand (only)

Caster base dia. 19" (48.26 cm)

Casters (5) 2" (5.08 cm) dia.

Base tube 29" (73.66 cm) from floor

9A623001 LED wall mount bracket

9A459001 Disposable Sheath; case of 5
boxes, 25/box

RITTER® 255

Illumination at 39" (1 m)

Focal length: 7,500 fc
(80,700 lux)

Pattern diameter: 7.5" (19 cm)

Depth of field: 29.8" (75.8 cm)

Color temperature: 4,400 K

Diameter of lighthouse:
20" (50.8 cm)

LED Light Module: 16 LEDs arranged in
a 4x4 array, 32 Watt rating

ELECTRICAL

115 VAC, 50/60 Hz, 0.7 amps

230 VAC, 50/60 Hz, 0.5 amps

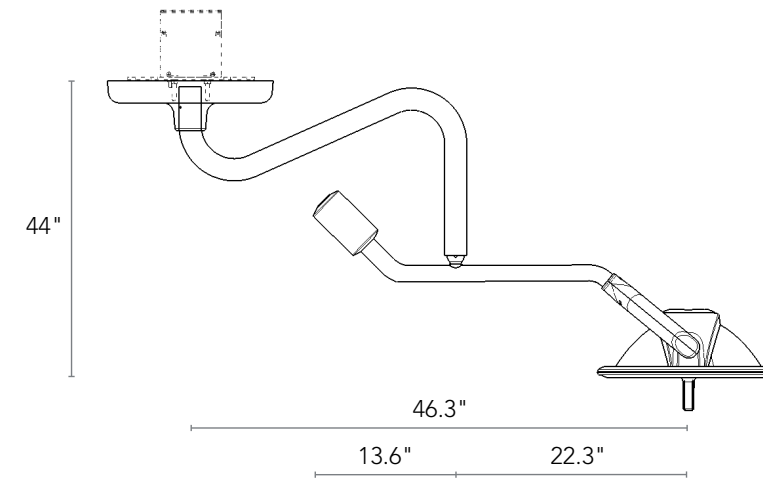
255 light meets IEC 60601 medical safety
standard for US and Canada

RITTER 255 ACCESSORIES

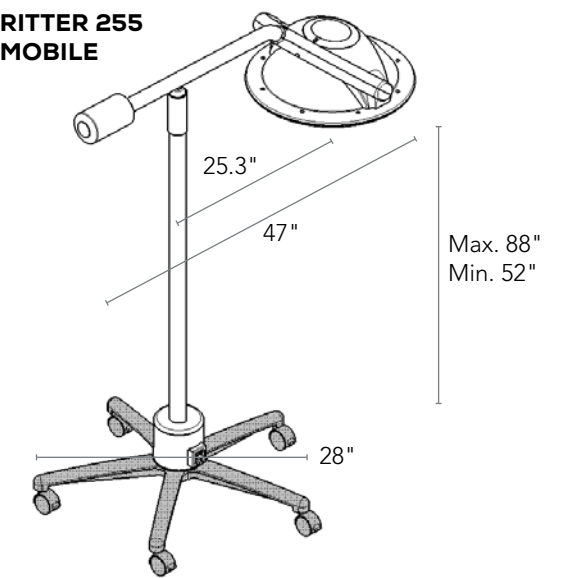
002-1865-00^{2,3} 10' ceiling mount
adapter kit

9A584001¹ Conversion kit w/cover (single
to double light)

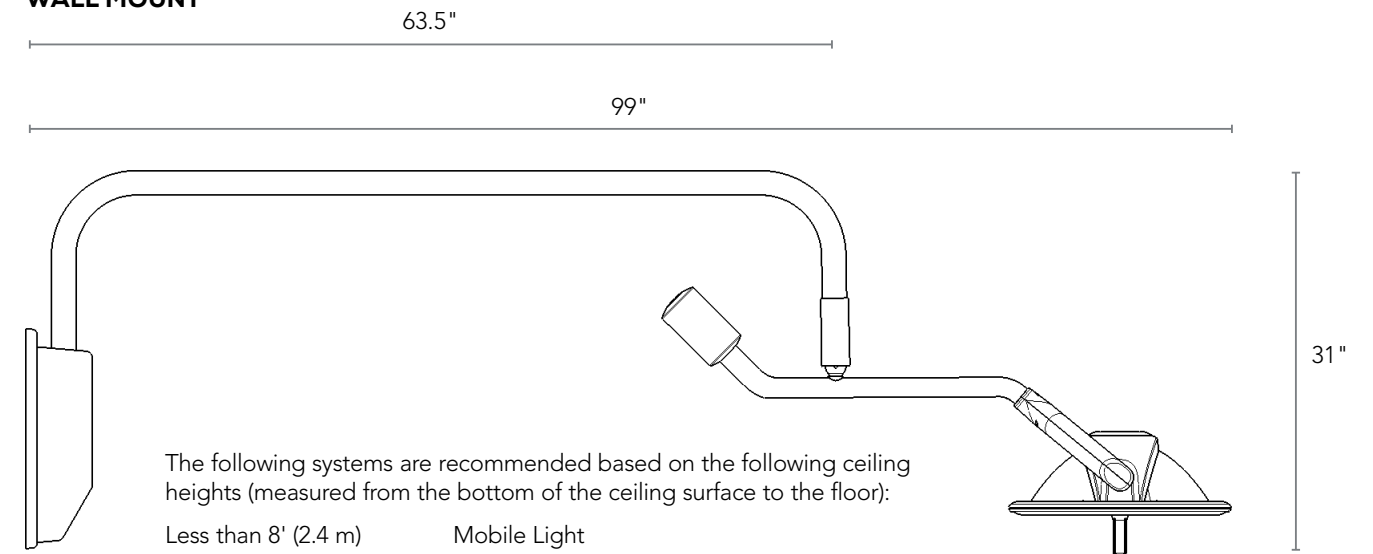
RITTER 255 CEILING MOUNT



RITTER 255 MOBILE



RITTER 255 WALL MOUNT



The following systems are recommended based on the following ceiling
heights (measured from the bottom of the ceiling surface to the floor):

Less than 8' (2.4 m)	Mobile Light
8' (2.4 m) to 9' (2.7 m)	Single or Dual Light
9' (2.7 m) to 10' (3 m)	Single or Dual Light
Greater than 10' (3 m)	Single or Dual Light with 10' ceiling mount adapter kit(s) or Mobile light

¹- To convert an existing single light to a dual light,
the conversion kit must be ordered in addition
to a second 8' or 9' light

²- Converts an 8' or 9' to a 10' ceiling height

³- One required per light arm

Midmark is an ISO 13485 and ISO 9001 Certified Company. Certain products are not included. See the complete list at: midmark.com/ISO

For more information, contact your Midmark dealer or call: 1.800.MIDMARK

Outside the USA call: 1.937.526.3662 or visit our website: midmark.com

© 2023 Midmark Corporation, Versailles, Ohio USA
Products subject to improvement changes without notice. Litho in USA.

007-10393-00 Rev. B1 (11/23)

Ritter®